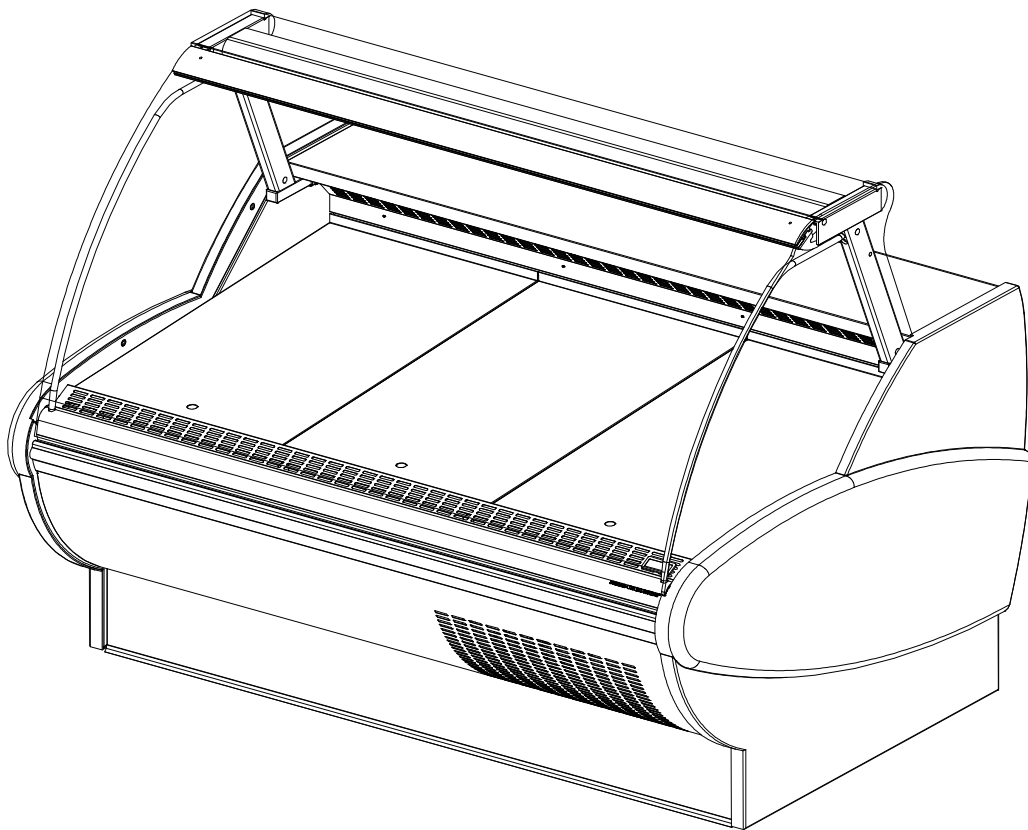


JORDAO COOLING SYSTEMS®



INSTALLATION MANUAL

PRESTIGE DISPLAY CABINET



Elaborated by:
Fausto Gonçalves

Aproved by:
Luís Basto

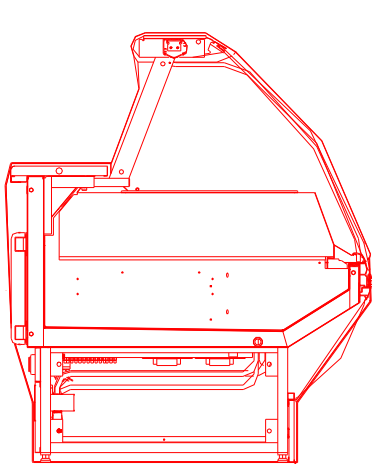
Edition: 1
25/10/2005

Index

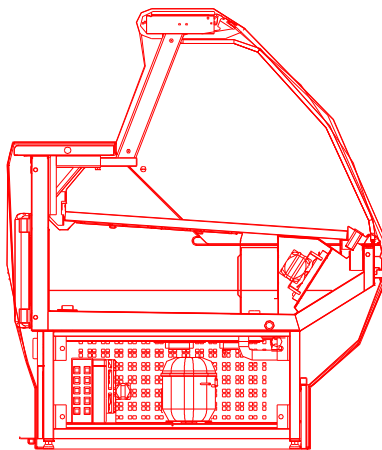
Chapters

1.	Models	3
2.	General Characteristics	4
3.	Condensed water draining and electrical connection points.	5
4.	Control Panel	7
5.	Electrical Circuit Board	8
6.	Electrical Wiring Diagram	10
7.	Programming the Thermostat	12
8.	Main replaceable parts	14
9.	Attachments	30

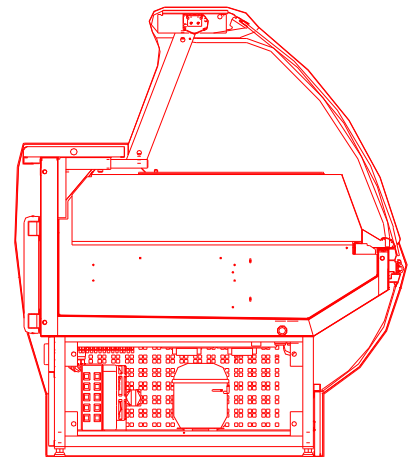
1. Models



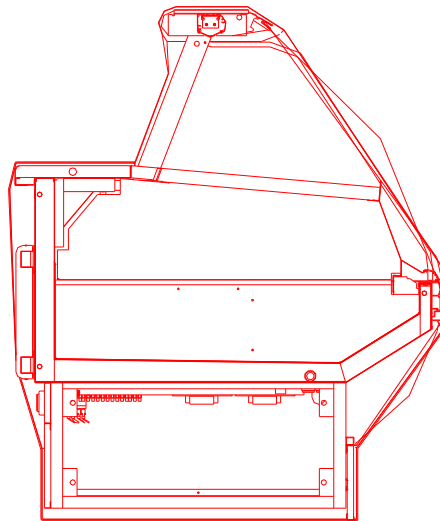
Water-bath



Refrigerator



Salads



Heated Cover (PATA)

Note: You can find technical information about these models on the attachment B. There you will be able to see their dimensions, too.

2. General Characteristics

Water-bath

- With the help of a water-bath, the exposed products will be held warm (heating through resistance). This water-bath enables the containers that contain the food to be plunged into the water or to remain over a cover with holes, which is heated by the steam caused by the warm water (PABMV).
- An electro mechanic thermostat controller controls the temperature.

Heated Cover

- In this display you can mainly expose food, which are held warm through heating resistances. An electro mechanic thermostat controls the heating temperature.

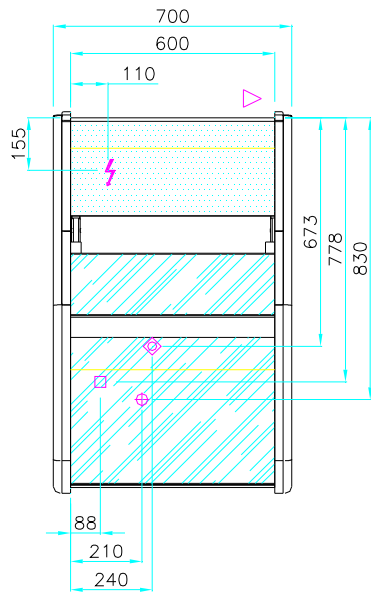
Refrigerator

- In this display you can mainly expose pastry.
- The cold is ventilated and its temperature lays between 3°C and 6°C in an environment of 25° with 60% of relative humidity. A digital control unit controls the temperature.

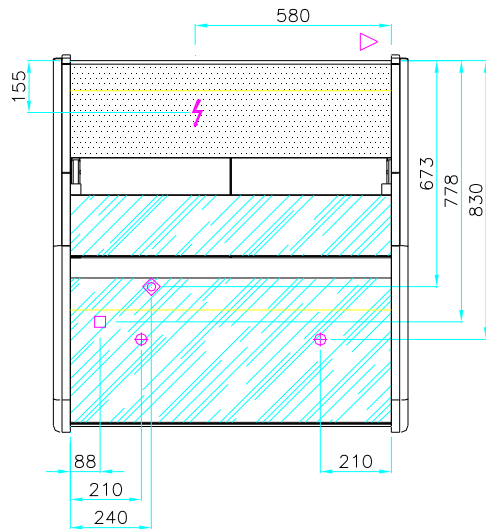
Salad Refrigerator

- In this display you can mainly expose salads.
- The cold is ventilated and its temperature lays between 3°C and 6°C in an environment of 25° with 60% of relative humidity. A digital control unit controls the temperature.

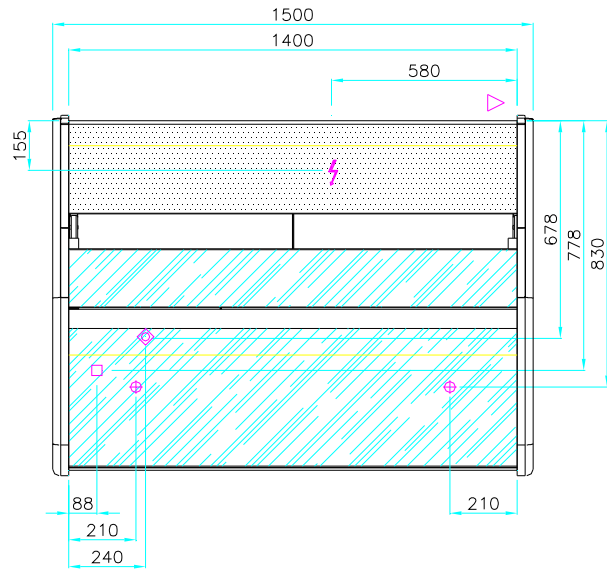
3. Condensed water draining and electrical connection points.



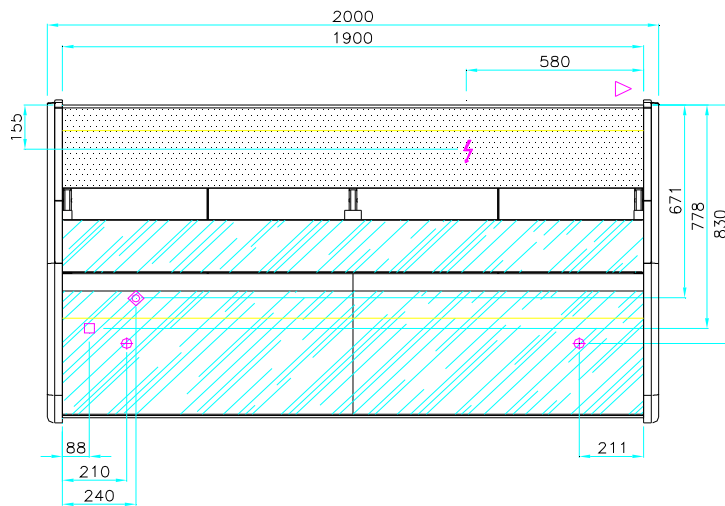
Prestige 70



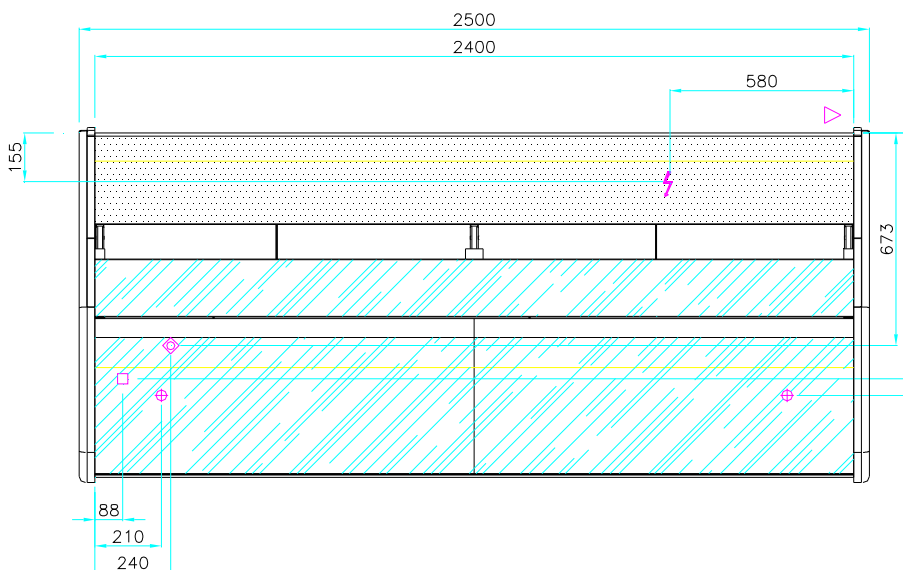
Prestige 105



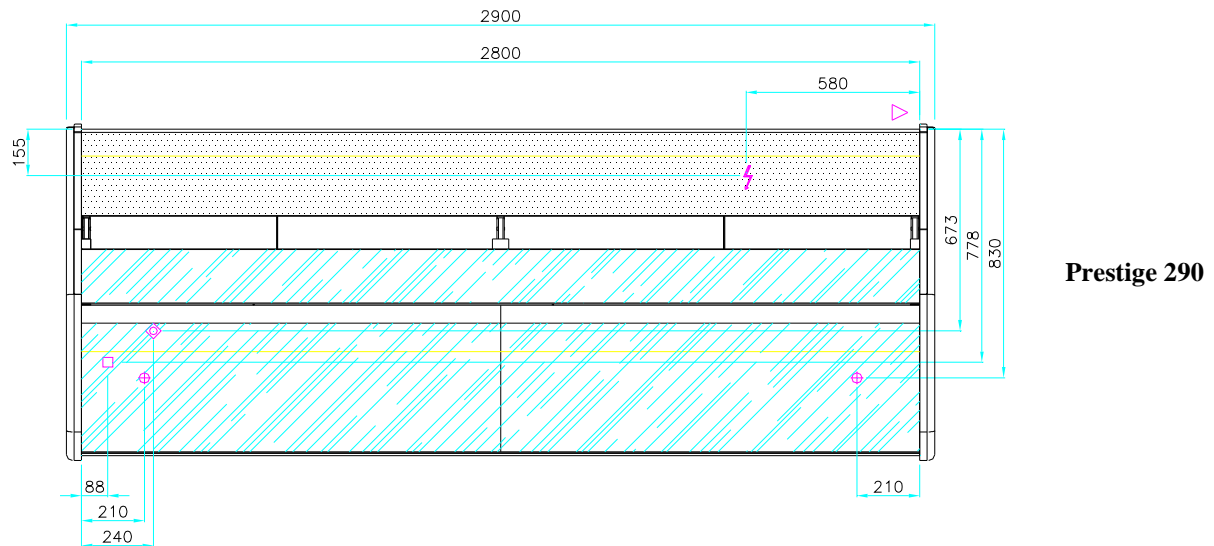
Prestige 150



Prestige 200

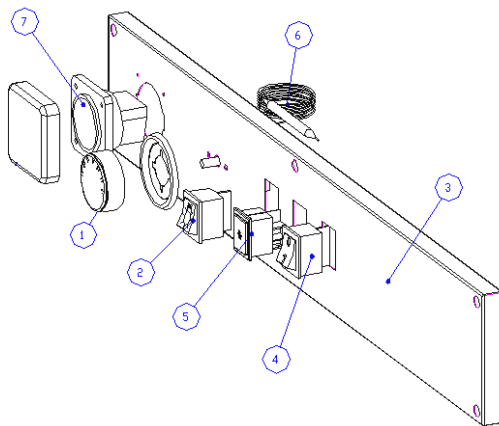


Prestige 250



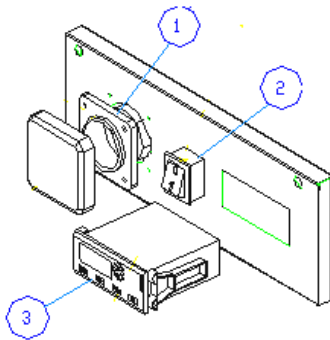
4. Control Panel

Water-Bath / Heated Cover



- 1 – Thermostat
- 2 – Illumination switch
- 3 – Control Panel Base
- 4 – General switch
- 5 – Resistance connection indicator
- 6 – Thermostat temperature sensor
- 7 – Monophasic socket 10-16A

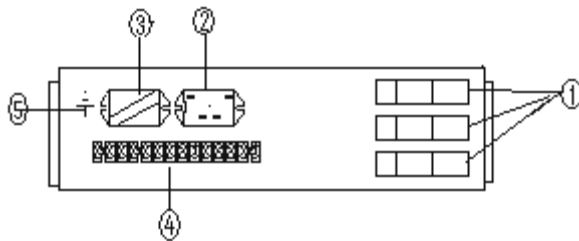
Refrigerated Pastry / Refrigerate Salad



- 1 – Socket 10-16 A
- 2 – Main switch with indicator (0/1)
- 3 – Digital control unit LAE LDU 152

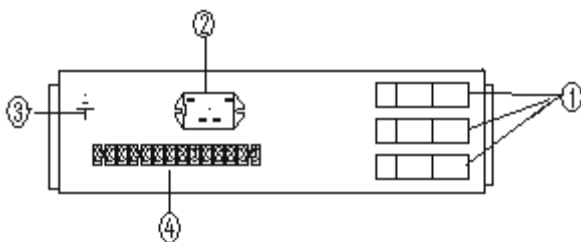
5. Electrical Circuit Board

Water-Bath



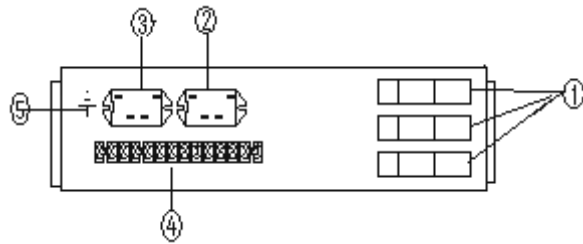
- 1 – Ballasts
- 2 – Heating resistance relay
- 3 – Circuit Breaker with Fuses
- 4 – Connection box
- 5 – Earth point

Heated Cover



- 1 – Ballasts
- 2 – Heating resistance relay
- 3 – Earth point
- 4 – Connection box

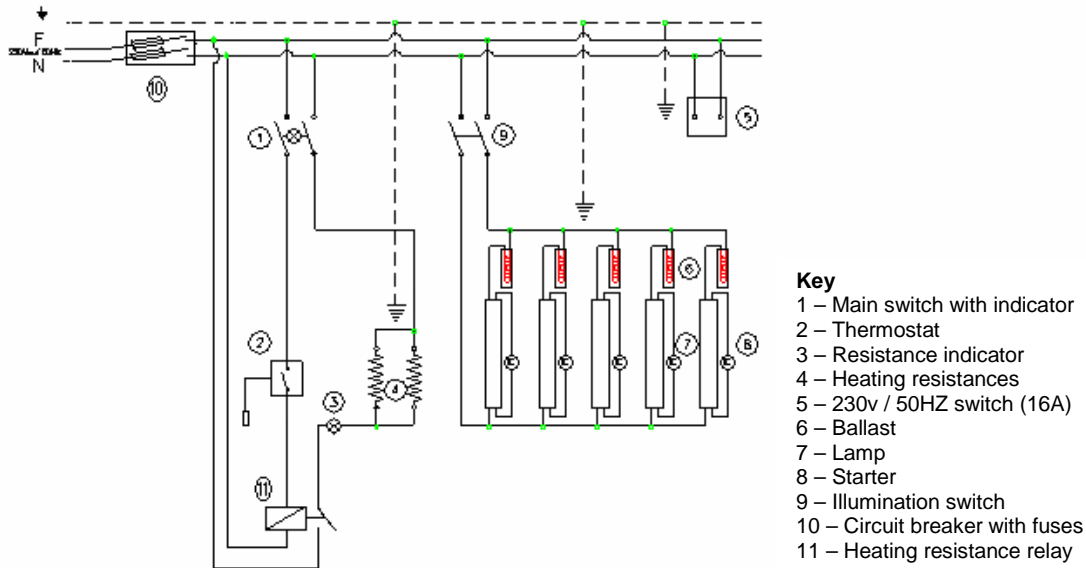
Refrigerated Pastry / Salads



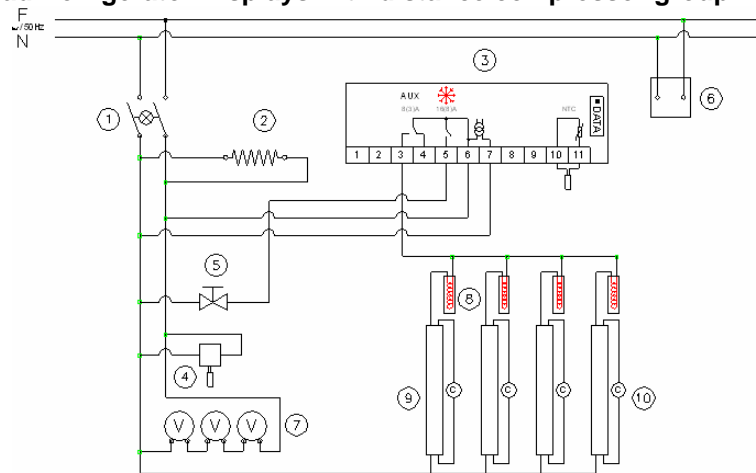
- 1 – Ballasts
- 2 – Compressor relay (versions with compressor group)
- 3 – Evaporation kit relay (versions with evaporation kit)
- 4 – Connection box
- 5 – Earth point

6. Electrical Wiring Diagram

Water-bath and heated tray displays

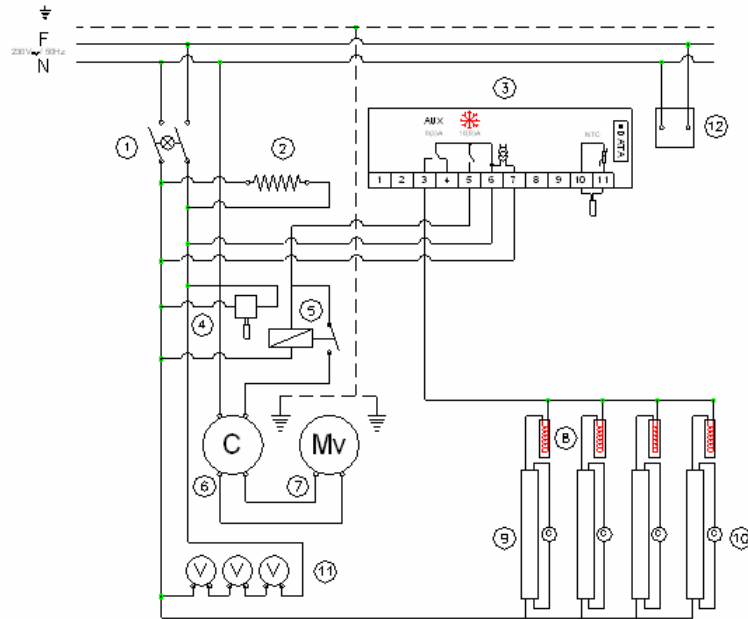


Refrigerator and Salad Refrigerator Displays with distance compressor group



- Key**
- 1 – Main switch with indicator
 - 2 – Anti-condensing resistance
 - 3 – Digital control unit LAE LDU15
 - 4 – Thermometer
 - 5 – Solenoid valve
 - 6 – Socket
 - 7 – Fans
 - 8 – Ballast
 - 9 – Lamp
 - 10 – Starter

Refrigerator and Salad Refrigerator Displays with incorporated compressor group



Key

- | | |
|------------------------------------|--------------------|
| 1 – Main switch with indicator | 7 – Compressor Fan |
| 2 – Anti-condensing resistance | 8 – Ballast |
| 3 – Digital control unit LAE LDU15 | 9 – Lamp |
| 4 – Thermometer | 10 – Starter |
| 5 – Compressor relay | 11 – Fans |
| 6 – Compressor | 12 – Socket |

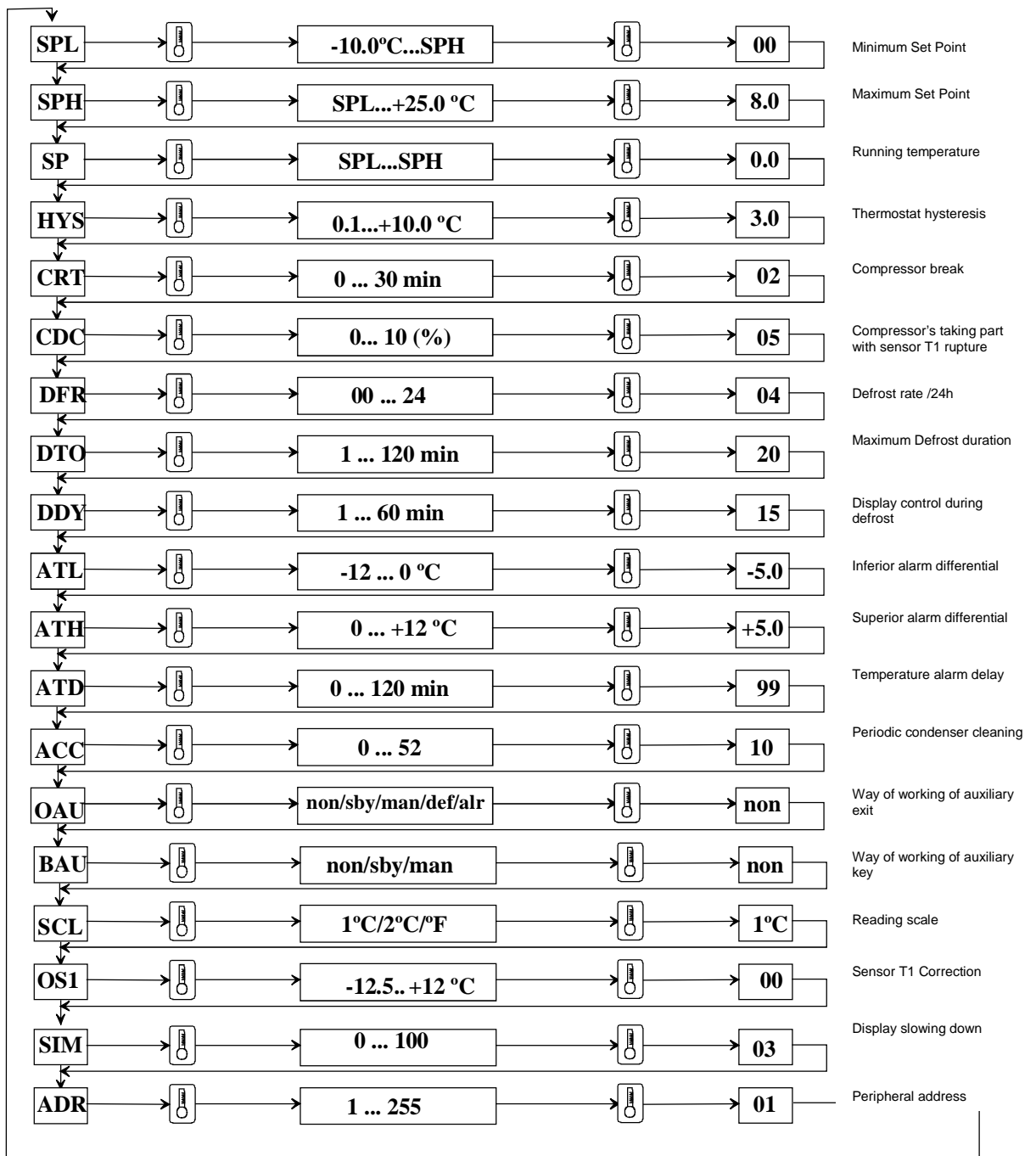
7. Programming the Thermostat

Control Unit LAE LDU 152 – E – AS

Configuration

CUT-OUT TEMPERATURE 00

PRESTIGE (VITRINAS e CANTOS) C\GP e S\GP



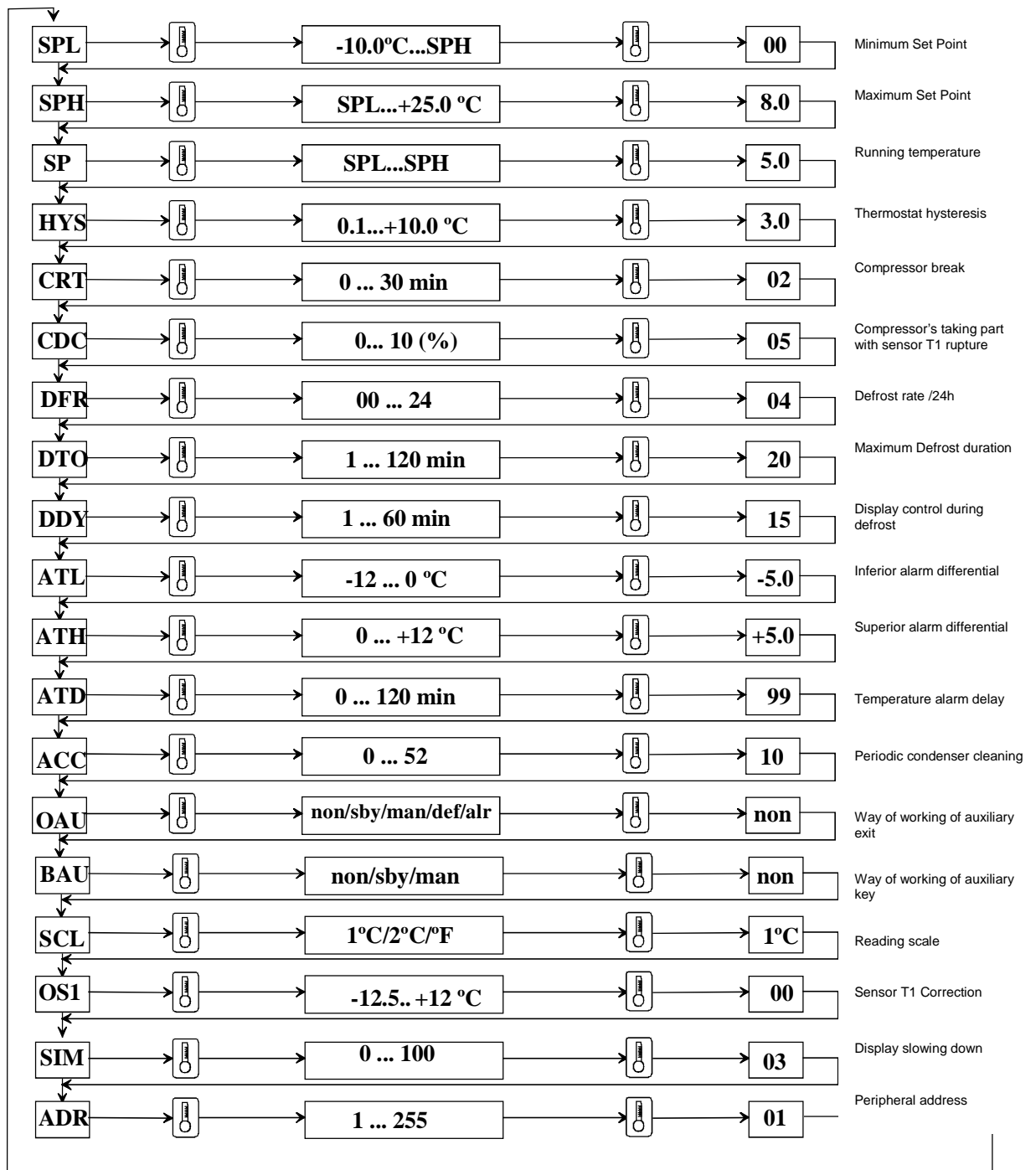
Control Unit LAE LDU 152 – E – AS

Configuration

CUT-OUT TEMPERATURE

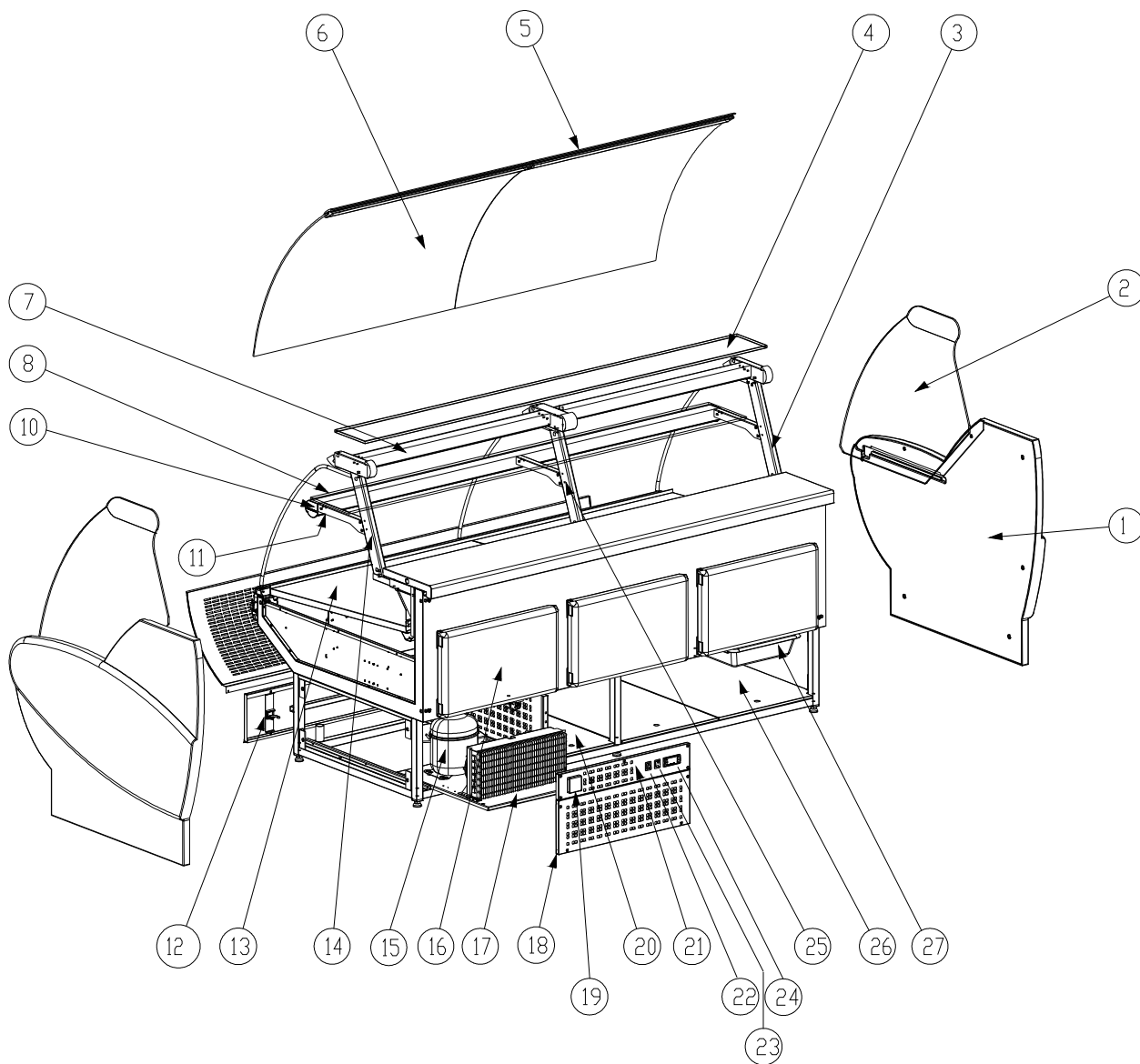
5.0

PRESTIGE Saladas C\GP e S/GP



8. Main replaceable parts

Refrigerated Display – Back View

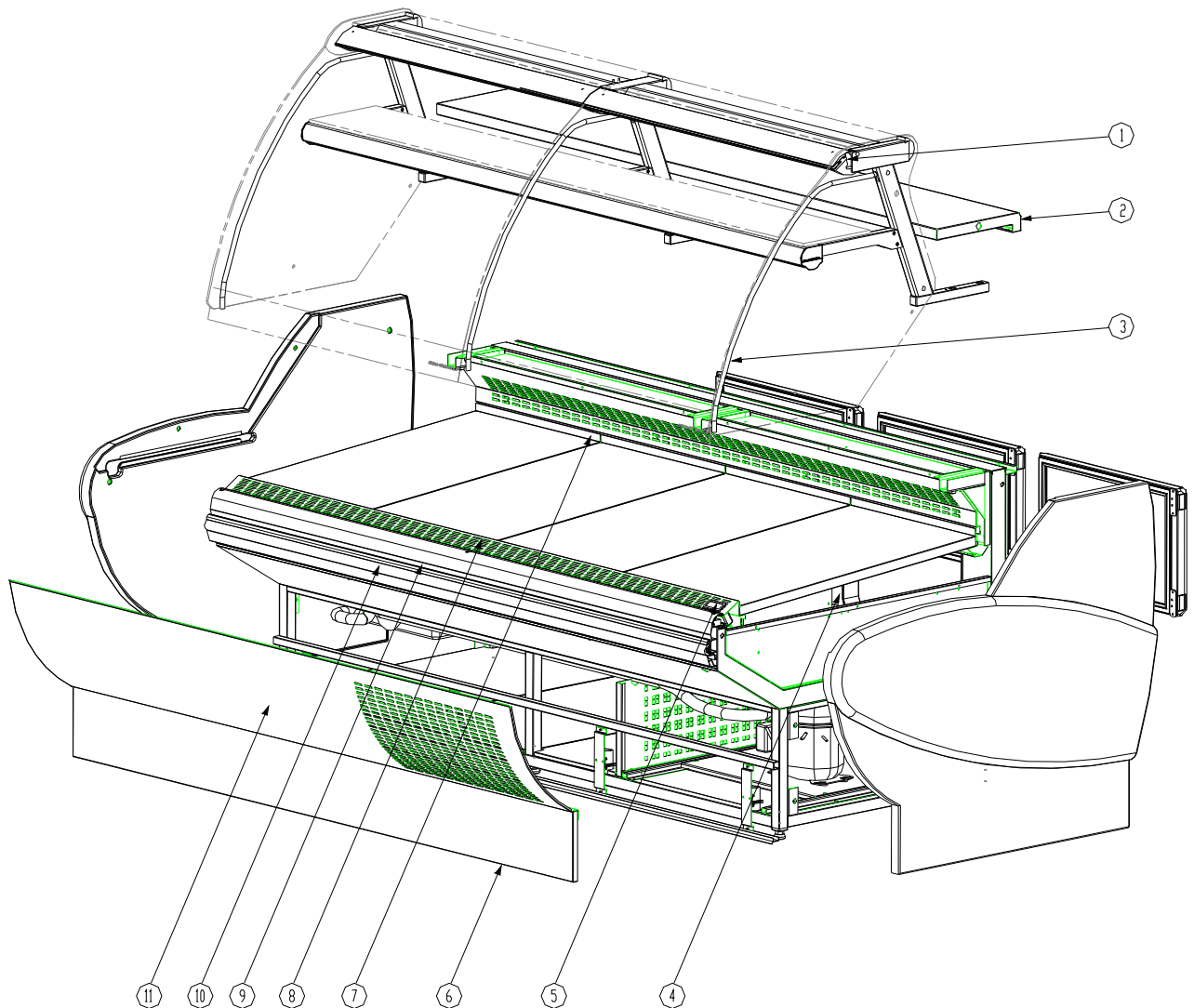


Nº	CODE	DESIGNATION	70	105	150	200	250	290
1	IP19210000	LEFT LATERAL ABS BROWN ORANGE PASSION				•		
	IP19310000	RIGHT LATERAL ABS BROWN ORANGE PASSION				•		
	IP19210001	LEFT LATERAL ABS GRAY SILVER PRESTIGE				•		
	IP19310001	RIGHT LATERAL ABS GRAY SILVER PRESTIGE				•		
2	MS60007054	LEFT LAT. CUVED GLASS PRESTIGE CHARC.VCVCH				•		
	MS60007055	RIGHT LAT. CUVED GLASS PRESTIGE CHARC.VCVCH				•		
3	MS34000102	WHITE RIGHT LAT. KIT PRESTIGE-NATURAL				•		
	MS34100102	WHITE RIGHT LAT. KIT PRESTIGE-GOLDEN				•		

N°	CODE	DESIGNATION	70	105	150	200	250	290
4	MS60007106	UPPER SHELF PASSION 70	•					
	MS60007108	UPPER SHELF PASSION 105		•				
	MS60007110	UPPER SHELF PASSION 150			•			
	MS60007112	UPPER SHELF PASSION 200				•		
	MS60007114	UPPER SHELF PASSION 250					•	
	MS60007116	UPPER SHELF PASSION 290						•
5	MS34000092	GLASS SUPPORT FIX.KIT FR.PREST.70-NAT.	•					
	MS34000093	GLASS SUPPORT FIX.KIT FR.PREST.105-NAT		•				
	MS34000094	GLASS SUPPORT FIX.KIT FR.PREST.150-NAT			•			
	MS34000095	GLASS SUPPORT FIX.KIT FR.PREST.200-NAT				•		
	MS34000096	GLASS SUPPORT FIX.KIT FR.PREST.250-NAT					•	
	MS34000097	GLASS SUPPORT FIX.KIT FR.PREST.290-NAT						•
	MS34100092	GLASS SUPPORT FIX.KIT FR.PREST.70-GOLDEN	•					
	MS34100093	GLASS SUPPORT FIX.KIT FR.PREST.105- GOLDEN		•				
	MS34100094	GLASS SUPPORT FIX.KIT FR.PREST.150- GOLDEN			•			
	MS34100095	GLASS SUPPORT FIX.KIT FR.PREST.200- GOLDEN				•		
MS34100096	GLASS SUPPORT FIX.KIT FR.PREST.250- GOLDEN					•		
MS34100097	GLASS SUPPORT FIX.KIT FR.PREST.290- GOLDEN						•	
6	MS60007040	CURVED FRON. GLASS PRESTIGE 599 MM	1					
	MS60007041	CURVED FRON. GLASS PRESTIGE 948 MM		1		2		
	MS60007042	CURVED FRON. GLASS PRESTIGE 1198 MM					2	
	MS60007043	CURVED FRON. GLASS PRESTIGE 1398 MM			1			2
7	IP27110070	SUP. LIGHTNING ARRAY KIT PRESTIGE 70-NATURAL	•					
	IP27110011	SUP. LIGHTNING ARRAY KIT PRESTIGE 105-NATURAL		•				
	IP27110015	SUP. LIGHTNING ARRAY KIT PRESTIGE 150-NATURAL			•			
	IP27110020	SUP. LIGHTNING ARRAY KIT PRESTIGE 200-NATURAL				•		
	IP27110025	SUP. LIGHTNING ARRAY KIT PRESTIGE 250-NATURAL					•	
	IP27110029	SUP. LIGHTNING ARRAY KIT PRESTIGE 290-NATURAL						•
	IP27110170	SUP. LIGHTNING ARRAY KIT PRESTIGE 70- GOLDEN	•					
	IP27110111	SUP. LIGHTNING ARRAY KIT PRESTIGE 105- GOLDEN		•				
	IP27110115	SUP. LIGHTNING ARRAY KIT PRESTIGE 150- GOLDEN			•			
	IP27110120	SUP. LIGHTNING ARRAY KIT PRESTIGE 200- GOLDEN				•		
IP27110125	SUP. LIGHTNING ARRAY KIT PRESTIGE 250- GOLDEN					•		
IP27110129	SUP. LIGHTNING ARRAY KIT PRESTIGE 290- GOLDEN						•	
8	MS60007107	LOWER SHELF PASSION 70	•					
	MS60007109	LOWER SHELF PASSION 105		•				
	MS60007111	LOWER SHELF PASSION 150			•			
	MS60007113	LOWER SHELF PASSION 200				•		
	MS60007115	LOWER SHELF PASSION 250					•	
	MS60007117	LOWER SHELF PASSION 290						•
10	MS20001512	L.ARRAY LEFT LAT.COVER MAJEST.PLAST. GOLDEN				•		
	MS20001513	L.ARRAY LEFT LAT.COV. MAJEST.PLAST.ALUMINIUM				•		
	MS20001514	L.ARRAY RIGHT LAT.COVER MAJEST.PLAST. GOLDEN				•		
	MS20001515	L.ARRAY RIGHT LAT.COV. MAJEST.PLAST.ALUMINUM				•		
11	IP27510070	INF.LIGHT.ARRAY PRESTIGE 70 C/PRAT-NATURAL	•					
	IX27010111	SUP. LIGHT.ARRAY NATURAL HORIZON/MAJEST.105		•				
	IX27010115	SUP. LIGHT.ARRAY NATURAL HORIZON 150			•			
	IX27010120	SUP. LIGHT.ARRAY NATURAL HORIZON/MAJEST.200				•		
	IX27010125	SUP. LIGHT.ARRAY NATURAL HORIZON 250					•	

19	MS1000088	SOCKET SHUKO BRAN.10/16 A MOBIL-R-418502							•
	MS1000089	WHITE MIRROR W/COVER REF.182809							•
20 e 26	SP29210511	BASE RIGHT LAT. TRAY PRESTIGE 105 SK	1						
	SP29210515	BASE RIGHT LAT. TRAY PRESTIGE 150 SK.		1					
	SP29310515	BASE LEFT LAT. TRAY PRESTIGE 150 SK.		1					
	SP29210520	BASE RIGHT LAT. TRAY PRESTIGE 200 SK.				1			
	SP29310520	BASE CENTER TRAY PRESTIGE 200 GRAY				1			
	SP29410520	BASE LEFT LAT. TRAY PRESTIGE 200 SK				1			
	SP29210525	BASE RIGHT LAT. TRAY PRESTIGE 250 SK.					1		
	SP29310525	BASE LEFT LAT. TRAY PRESTIGE 250 SK.					1		
	SP29410525	BASE RIGHT CENTER TRAY PRESTIGE 250 SK.					1		
	SP29510525	BASE LEFT CENTER TRAY PRESTIGE 250 SK.					1		
	SP29210529	BASE RIGHT LAT. TRAY PRESTIGE 290 SK.						1	
	SP29310529	BASE LEFT LAT. TRAY PRESTIGE 290 SK.						1	
	SP29410529	BASE RIGHT CENTER TRAY PRESTIGE 290 SK.						1	
	SP29510529	BASE LEFT CENTER TRAY PRESTIGE 290 SK.						1	
	SP29210011	BASE RIGHT LAT. TRAY PRESTIGE 105 S/LESS STEEL	1						
	SP29210015	BASE RIGHT LAT. TRAY PRESTIGE 150 S/LESS STEEL		1					
	SP29310015	BASE LEFT LAT. TRAY PRESTIGE 150 S/LESS STEEL		1					
	SP29210020	BASE RIGHT LAT. TRAY PRESTIGE 200 S/LESS STEEL				1			
	SP29310020	BASE CENTER TRAY PRESTIGE 200 S/LESS STEEL				1			
SP29410020	BASE LEFT LAT. TRAY PRESTIGE 200 S/LESS STEEL				1				
SP29210025	BASE RIGHT LAT. TRAY PRESTIGE 250 S/LESS STEEL					1			
SP29310025	BASE LEFT LAT. TRAY PRESTIGE 250 S/LESS STEEL					1			
SP29410025	BASE RIGHT CEN.TRAY PRESTIGE 250 S/LESS STEEL					1			
SP29510025	BASE LEFT CEN. TRAY PRESTIGE 250 S/LESS STEEL					1			
SP29210029	BASE RIGHT LAT. TRAY PRESTIGE 290 S/LESS STEEL						1		
SP29310029	BASE LEFT LAT. TRAY PRESTIGE 290 S/LESS STEEL						1		
SP29410029	BASE RIGHT CEN.TRAY PRESTIGE 290 S/LESS STEEL						1		
SP29510029	BASE LEFT CEN.TRAY PRESTIGE 290 S/LESS STEEL						1		
21	IP23110570	CONTROL PANEL PRESTIGE 70 SK REF.							•
	IP23110515	CONTROL PANEL PRESTIGE 105-150 SK REF.		•	•				
	IP23110520	CONTROL PANEL PRESTIGE 200 SK REF.				•			
	IP23110525	CONTROL PANEL PRESTIGE 250 SK REF.					•		
	IP23110529	CONTROL PANEL PRESTIGE 290 SK REF.						•	
	IP23110070	CONTROL PANEL PRESTIGE 70 S/LESS STEEL REF.	•						
	IP23110015	CON.PANEL PRESTIGE 105-150 S/LESS STEEL REF.		•	•				
	IP23110020	CONTROL PANEL PRESTIGE 200 S/LESS STEEL REF.				•			
IP23110025	CONTROL PANEL PRESTIGE 250 S/LESS STEEL REF.					•			
IP23110029	CONTROL PANEL PRESTIGE 290 S/LESS STEEL REF.						•		
22	MS10000078	ON/OFF SIGN./INTER. RED LUM. F.11.405 L							•
23	MS10000079	WHITE SWITCH N/LUM. - LUZ F.11.405							•
24	MS40000096	DIG.CONTROL UNIT.LDU152E-AL-C/INT.ILLUMIN.							•
	MS40000430	CONTROL UNIT SENSOR LDU152E SN2K20P1							•
25	MS34000101	WHITE CENTRAL KIT -NATURAL							•
	MS34100101	WHITE CENTRAL KIT PRESTIGE-GOLDEN							•
26		SEE NR. 20							
27	MS20001075	WHITE RECEPTACLE PL. TERMOMOL.485X260X82							•

Refrigerated Display – Frontal View

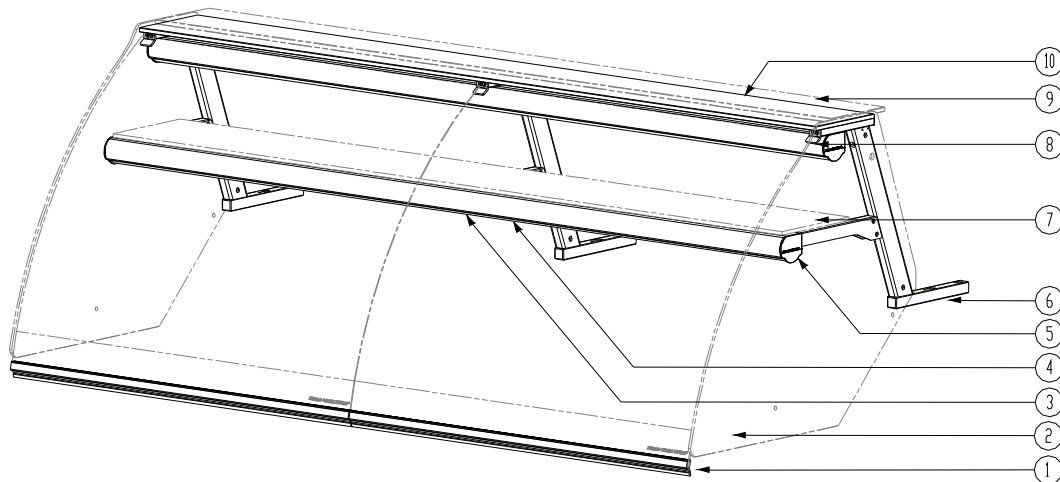


Nº	CODIGO	DESIGNAÇÃO	70	105	150	200	250	290
1	MS34000139	HYDRAULIC STABILUS HIDRO-LIFT 250N	2					
	MS34000140	HYDRAULIC STABILUS HIDRO-LIFT 400N		2		4		
	MS34000142	HYDRAULIC STABILUS HIDRO-LIFT 700N			2			4
	MS34000145	HYDRAULIC STABILUS HIDRO-LIFT 500N					4	
2	IP15010070	S/LESS STEEL SERVICE COVER PRESTIGE 70	•					
	IP15010011	S/LESS STEEL SERVICE COVER PRESTIGE 105		•				
	IP15010015	S/LESS STEEL SERVICE COVER PRESTIGE 150			•			
	IP15010020	S/LESS STEEL SERVICE COVER PRESTIGE 200				•		
	IP15010025	S/LESS STEEL SERVICE COVER PRESTIGE 250					•	
	IP15010029	S/LESS STEEL SERVICE COVER PRESTIGE 290						•
3	MS34000025	MASSIVE STEEL TUBE SUP.FOOTING PRESTIGE				•		
4	MS40000145	EVAPORATOR PRESTIGE BUTCHER'S 70	•					
	MS40000146	EVAPORATOR PRESTIGE BUTCHER'S 105		•				
	MS40000147	EVAPORATOR PRESTIGE BUTCHER'S 150			•			
	MS40000148	EVAPORATOR PRESTIGE BUTCHER'S 200				•		

	MS40000149	EVAPORATOR PRESTIGE BUTCHER'S 250						•	
	MS40000150	EVAPORATOR PRESTIGE BUTCHER'S 290							•
5	MS40000023	DIGITAL THERMOMETER MOD. TJ-149					•		
6	IP42010070	FOOT PANEL DISP/BOX PRES/PASS.70 S/LESS STEEL	•						
	IP42010011	FOOT PANEL DISP/BOX PRESTI/PASSION 105		•					
	IP42010015	FOOT PANEL DISP/BOX PRESTI/PASSION 150			•				
	IP42010020	FOOT PANEL DISP/BOX PRESTI/PASSION 200				•			
	IP42010025	FOOT PANEL DISP/BOX PRESTI/PASSION 250					•		
	IP42010029	FOOT PANEL DISP/BOX PRESTI/PASSION 290						•	
7	SP90710070	UPPER GRID PRESTIGE 70	•						
	SP90710011	UPPER GRID PRESTIGE 105		•					
	SP90710015	UPPER GRID PRESTIGE 150			•				
	SP90710020	UPPER GRID PRESTIGE 200				•			
	SP90710025	UPPER GRID PRESTIGE 250					•		
	SP90710029	UPPER GRID PRESTIGE 290						•	
8	SP90410070	SUCTION GRID PRESTIGE 70	•						
	SP90410011	SUCTION GRID PRESTIGE 105		•					
	SP90410015	SUCTION GRID PRESTIGE 150			•				
	SP90410020	SUCTION GRID PRESTIGE 200				•			
	SP90410025	SUCTION GRID PRESTIGE 250					•		
	SP90410029	SUCTION GRID PRESTIGE 290						•	
9	MP22300040	BLACK WINDOW SEALING PROFILE 12X11	0,60	0,95	1,40	1,90	2,40	2,80	
	SP50010070	FRONTAL PROFILE PRESTIGE 70-NATURAL	•						
	SP50010011	FRONTAL PROFILE PRESTIGE 105-NATURAL		•					
	SP50010015	FRONTAL PROFILE PRESTIGE 150-NATURAL			•				
	SP50010020	FRONTAL PROFILE PRESTIGE 200-NATURAL				•			
	SP50010025	FRONTAL PROFILE PRESTIGE 250-NATURAL					•		
	SP50010029	FRONTAL PROFILE PRESTIGE 290-NATURAL						•	
	SP50110070	SUP. DEC. PROFILE PRESTIGE 70-NATURAL	•						
	SP50110011	SUP. DEC. PROFILE PRESTIGE 105-NATURAL		•					
	SP50110015	SUP. DEC. PROFILE PRESTIGE 150-NATURAL			•				
	SP50110020	SUP. DEC. PROFILE PRESTIGE 200-NATURAL				•			
	SP50110025	SUP. DEC. PROFILE PRESTIGE 250-NATURAL					•		
	SP50110029	SUP. DEC. PROFILE PRESTIGE 290-NATURAL						•	
	SP50010170	FRONTAL PROFILE PRESTIGE 70-GOLDEN	•						
	SP50010111	FRONTAL PROFILE PRESTIGE 105- GOLDEN		•					
	SP50010115	FRONTAL PROFILE PRESTIGE 150- GOLDEN			•				
	SP50010120	FRONTAL PROFILE PRESTIGE 200- GOLDEN				•			
	SP50010125	FRONTAL PROFILE PRESTIGE 250- GOLDEN					•		
	SP50010129	FRONTAL PROFILE PRESTIGE 290- GOLDEN						•	
	SP50110170	SUP. DEC. PROFILE PRESTIGE 70- GOLDEN	•						
	SP50110111	SUP. DEC. PROFILE PRESTIGE 105- GOLDEN		•					
	SP50110115	SUP. DEC. PROFILE PRESTIGE 150- GOLDEN			•				
	SP50110120	SUP. DEC. PROFILE PRESTIGE 200- GOLDEN				•			
	SP50110125	SUP. DEC. PROFILE PRESTIGE 250- GOLDEN					•		
	SP50110129	SUP. DEC. PROFILE PRESTIGE 290- GOLDEN						•	
	10	MP12300311	BUMPER PROFILE FLEX.29X21 RAL9007-SILVER	0,60	0,95	1,40	1,90	2,40	2,80
MP12300312		BUMPER PROFILE FLEX.29X21 RAL3000-RED	0,60	0,95	1,40	1,90	2,40	2,80	
MP12300313		BUMPER PROFILE FLEX.29X21 RAL3000-BLUE	0,60	0,95	1,40	1,90	2,40	2,80	
MP12300314		BUMPER PROFILE FLEX.29X21 RAL1003-YELLOW	0,60	0,95	1,40	1,90	2,40	2,80	

		0,60	0,95	1,40	1,90	2,40	2,80
	MP12300315	BLACK BUMPER BASE PROFILE 23X11					
	IP85010070	INF.DEC. PRESTIGE 70 W/GP RED	•				
	IP85010011	INF.DEC. PRESTIGE 105 W/GP RED		•			
	IP85010015	INF.DEC. PRESTIGE 150/290 W/GP RED			•		•
	IP85010020	INF.DEC. PRESTIGE 200 W/GP RED				•	
	IP85010025	INF.DEC. PRESTIGE 250 W/GP RED					•
	IP85010170	INF.DEC. PRESTIGE 70 W/GP BLUE	•				
	IP85010111	INF.DEC. PRESTIGE 105 W/GP BLUE		•			
	IP85010115	INF.DEC. PRESTIGE 150/290 W/GP BLUE			•		•
	IP85010120	INF.DEC. PRESTIGE 200 W/GP BLUE				•	
	IP85010125	INF.DEC. PRESTIGE 250 W/GP BLUE					•
	IP85010270	INF.DEC. PRESTIGE 70 W/GP YELLOW	•				
	IP85010211	INF.DEC. PRESTIGE 105 W/GP YELLOW		•			
	IP85010215	INF.DEC. PRESTIGE 150/290 W/GP YELLOW			•		•
	IP85010220	INF.DEC. PRESTIGE 200 W/GP YELLOW				•	
	IP85010225	INF.DEC. PRESTIGE 250 W/GP YELLOW					•
	IP85010370	INF.DEC. PRESTIGE 70 W/GP ALUMINIUM	•				
	IP85010311	INF.DEC. PRESTIGE 105 W/GP ALUMINIUM		•			
	IP85010315	INF.DEC. PRESTIGE 150/290 W/GP ALUMINIUM			•		•
	IP85010320	INF.DEC. PRESTIGE 200 W/GP ALUMINIUM				•	
11	IP85010325	INF.DEC. PRESTIGE 250 W/GP ALUMINIUM					•
	IP85110070	INF.DEC. PRESTIGE 70 WO/GP RED	•				
	IP85110011	INF.DEC. PRESTIGE 105 WO/GP RED		•			
	IP85110015	INF.DEC. PRESTIGE 150/290 WO/GP RED			•		•
	IP85110020	INF.DEC. PRESTIGE 200 WO/GP RED				•	
	IP85110025	INF.DEC. PRESTIGE 250 WO/GP RED					•
	IP85110170	INF.DEC. PRESTIGE 70 WO/GP BLUE	•				
	IP85110111	INF.DEC. PRESTIGE 105 WO/GP BLUE		•			
	IP85110115	INF.DEC. PRESTIGE 150/290 WO/GP BLUE			•		•
	IP85110120	INF.DEC. PRESTIGE 200 WO/GP BLUE				•	
	IP85110125	INF.DEC. PRESTIGE 250 WO/GP BLUE					•
	IP85110270	INF.DEC. PRESTIGE 70 WO/GP YELLOW	•				
	IP85110211	INF.DEC. PRESTIGE 105 WO/GP YELLOW		•			
	IP85110215	INF.DEC. PRESTIGE 150/290 WO/GP YELLOW			•		•
	IP85110220	INF.DEC. PRESTIGE 200 WO/GP YELLOW				•	
	IP85110225	INF.DEC. PRESTIGE 250 WO/GP YELLOW					•
	IP85110370	INF.DEC. PRESTIGE 70 WO/GP ALUMINIUM	•				
	IP85110311	INF.DEC. PRESTIGE 105 WO/GP ALUMINIUM		•			
	IP85110315	INF.DEC. PRESTIGE 150/290 WO/GP ALUMINIUM			•		•
	IP85110320	INF.DEC. PRESTIGE 200 WO/GP ALUMINIUM				•	
	IP85110325	INF.DEC. PRESTIGE 250 WO/GP ALUMINIUM					•

Curved Glasses without Hydraulic

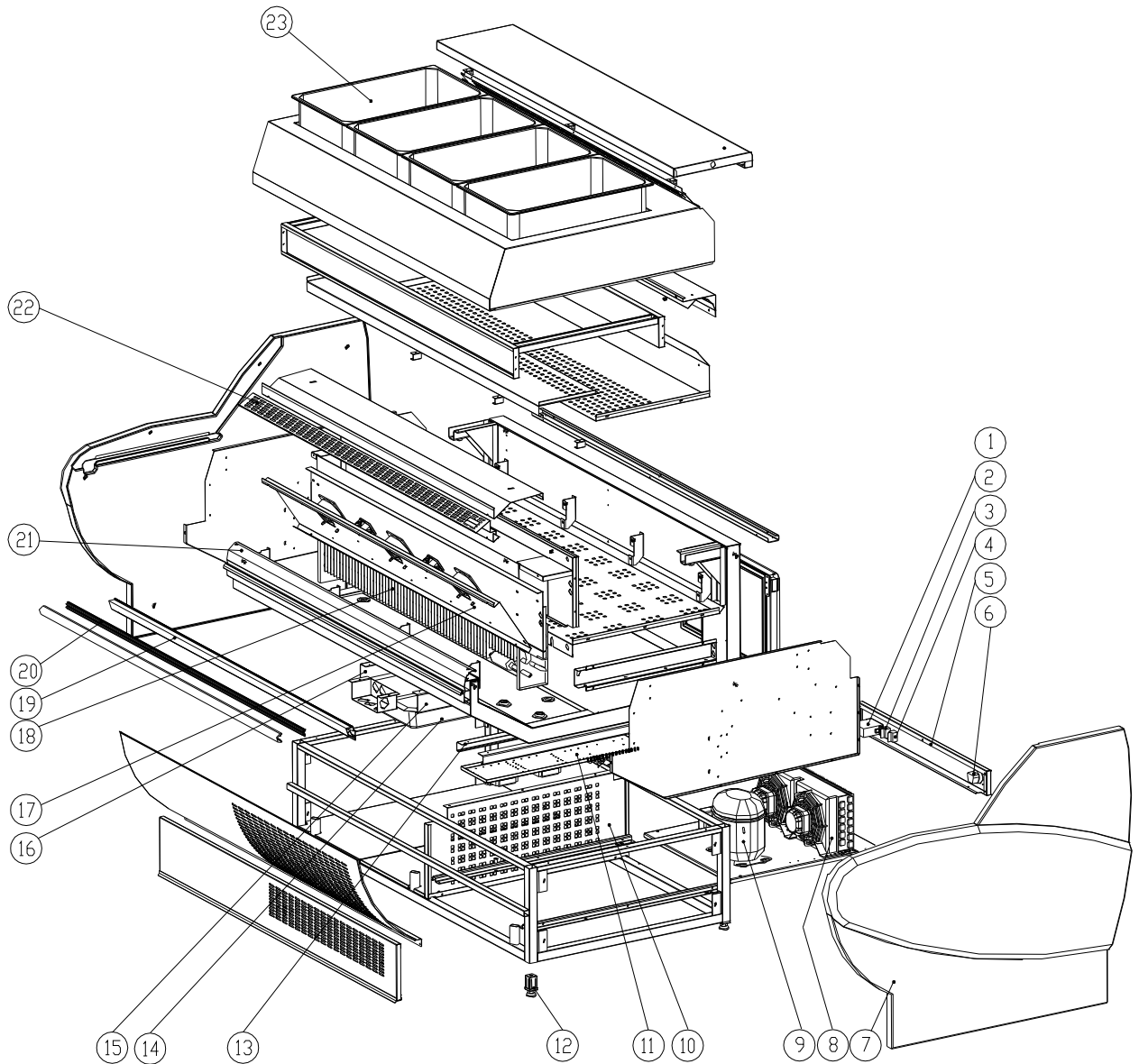


N°	CODE	DESIGNATION	70	105	150	200	250	290
1	SP50610070	GLASS SUP.PROF. FR.PRESTIGE 70 VCVSH-NATUR	1					
	SP50610011	GLASS SUP.PROF. FR.PRESTIGE 105 VCVSH-NATU		1		2		
	SP50610015	GLASS SUP.PROF. FR.PRESTIGE 150 VCVSH-NATU			1			2
	SP50610025	GLASS SUP.PROF. FR.PRESTIGE 250 VCVSH-NATU					2	
	SP50610170	GLASS SUP.PROF. FR.PRESTIGE 70 VCVSH-GOLDEN	1					
	SP50610111	GLASS SUP.PROF. FR.PREST. 105 VCVSH- GOLDEN		1		2		
	SP50610115	GLASS SUP.PROF. FR.PREST. 150 VCVSH- GOLDEN			1			2
	SP50610125	GLASS SUP.PROF. FR.PREST. 250 VCVSH-GOLDEN					2	
2	MS60007056	CURVED SIDE GLASS WO/HYDRAULIC PRESTIGE				•		
3	MS10000026	LAMP OSRAM LUMILUX PLUS ECO L15W/76	1					
	MS10000027	LAMP OSRAM LUMILUX PLUS ECO L18W/76		1		1		
	MS10000029	LAMP OSRAM LUMILUX PLUS ECO L36W/76-1				1	2	
	MS10000030	LAMP OSRAM LUMILUX PLUS ECO L36W/76			1			2
	SP27510270	INF.LIGHTNING ARRAY PROTEC.PRESTIGE 70 W/SHELF	•					
	SX27010711	LIGHTNING ARRAY PROTEC.HORIZON 105		•				
	SX27010715	LIGHTNING ARRAY PROTEC.HORIZON 150			•			
	SX27010720	LIGHTNING ARRAY PROTEC.HORIZON 200				•		
	SX27010725	LIGHTNING ARRAY PROTEC.HORIZON 250					•	
	SP27510270	INF.LIGHTNING ARRAY PROTEC.PRESTIGE 290 W/SHELF						•
4	IP27510070	INF.LIGHTNING ARRAY PRESTIGE 70 W/SHELF -NATURA	•					
	IX27010111	SUP.LIGHT.ARRAY NATURAL HORIZON/MAJEST.105		•				
	IX27010115	SUP.LIGHT.ARRAY NATURAL HORIZON 150			•			
	IX27010120	SUP.LIGHT.ARRAY NATURAL HORIZON/MAJEST.200				•		
	IX27010125	SUP.LIGHT.ARRAY NATURAL HORIZON 250					•	
	IP27510029	INF.LIGHT. ARRAY PRESTIGE 290 W/SHELF-NATURA						•
	IP27510170	INF.LIGHTNING ARRAY PRESTIGE 70 W/SHELF -GOLDEN	•					
	IX27010211	GODLEN SUP.LIGHT.ARRAY HORIZON/MAJEST.105		•				
	IX27010215	GODLEN SUP.LIGHT.ARRAY HORIZON 150			•			
	IX27010220	GODLEN SUP.LIGHT.ARRAY HORIZON/MAJEST.200				•		
	IX27010225	GODLEN SUP.LIGHT.ARRAY HORIZON 250					•	
	IP27510129	INF.LIGHT. ARRAY PRESTIGE 290 W/SHELF -GOLDEN						•

N°	CODE	DESIGNATION	70	105	150	200	250	290
5	MS20001512	LIGHT.ARRAY LEFT SIDE COVER MAJEST.PLAST.GOLDEN				•		
	MS20001513	LIGHT.ARRAY LEFT SIDE COVER MAJEST.PLAST.ALUM.				•		
	MS20001514	LIGHT.ARRAY RIGHT SIDE COVER MAJEST.PLAST.GOLDEN				•		
	MS20001515	LIGHT.ARRAY RIGHT SIDE COVER MAJEST.PLAST.ALUM.				•		
6	MS34000107	COURVED GLASS WO/HYDR. SUPPORT FRAME PREST.-NAT				•		
	MS34100107	COURVED GLASS WO/HYDR.SUPPORT FRAME PREST.-GOL				•		
7	MS60001111	LOWER SHELF PRESTIGE 70 595X230X8	•					
	MS60001120	LOWER SHELF.LIDER 105-945X230X8		•				
	MS60001122	LOWER SHELF LIDER 150-1395X230X8			•			
	MS60001123	LOWER SHELF LIDER 200-1895X230X8				•		
	MS60001124	LOWER SHELF LIDER 250-2395X230X8					•	
	MS60001112	LOWER SHELF PRESTIGE 290 2795X230X8						•
8	IP27410070	SUP.LIGHT.ARRAY PRESTIGE 70 VCVSH-NATURAL	•					
	IP27410011	SUP.LIGHT.ARRAY PRESTIGE 105 VCVSH-NATURAL		•				
	IP27410015	SUP.LIGHT.ARRAY PRESTIGE 150 VCVSH-NATURAL			•			
	IP27410020	SUP.LIGHT.ARRAY PRESTIGE 200 VCVSH-NATURAL				•		
	IP27410025	SUP.LIGHT.ARRAY PRESTIGE 250 VCVSH-NATURAL					•	
	IP27410029	SUP.LIGHT.ARRAY PRESTIGE 290 VCVSH-NATURAL						•
	IP27410170	SUP.LIGHT.ARRAY PRESTIGE 70 VCVSH-GOLDEN	•					
	IP27410111	SUP.LIGHT.ARRAY PRESTIGE 105 VCVSH- GOLDEN		•				
	IP27410115	SUP.LIGHT.ARRAY PRESTIGE 150 VCVSH- GOLDEN			•			
	IP27410120	SUP.LIGHT.ARRAY PRESTIGE 200 VCVSH- GOLDEN				•		
	IP27410125	SUP.LIGHT.ARRAY PRESTIGE 250 VCVSH- GOLDEN					•	
	IP27410129	SUP.LIGHT.ARRAY PRESTIGE 290 VCVSH- GOLDEN						•
	SP27410270	SUP.LIGHT.ARRAY PROT. PRESTIGE 70 VCVSH	•					
	SP27410211	SUP.LIGHT.ARRAY PROT. PRESTIGE 105 VCVSH		•				
	SP27410215	SUP.LIGHT.ARRAY PROT. PRESTIGE 150 VCVSH			•			
	SP27410220	SUP.LIGHT.ARRAY PROT. PRESTIGE 200 VCVSH				•		
	SP27410225	SUP.LIGHT.ARRAY PROT. PRESTIGE 250 VCVSH					•	
	SP27410229	SUP.LIGHT.ARRAY PROT. PRESTIGE 290 VCVSH						•
	MS10000026	LAMP OSRAM LUMILUX PLUS ECO L15W/76	1					
	MS10000027	LAMP OSRAM LUMILUX PLUS ECO L18W/76		1		1		
MS10000029	LAMP OSRAM LUMILUX PLUS ECO L36W/76-1				1	2		
MS10000030	LAMP OSRAM LUMILUX PLUS ECO L36W/76			1			2	
9	MS60007100	SUP.SHELF PRESTIGE 70 CURVED GLASS WO/HYDR	•					
	MS60007101	SUP.SHELF PRESTIGE 105 CURVED GLASS WO/HYDR		•				
	MS60007102	SUP.SHELF PRESTIGE 150 CURVED GLASS WO/HYDR			•			
	MS60007103	SUP.SHELF PRESTIGE 200 CURVED GLASS WO/HYDR				•		
	MS60007104	SUP.SHELF PRESTIGE 250 CURVED GLASS WO/HYDR					•	
	MS60007105	SUP.SHELF PRESTIGE 290 CURVED GLASS WO/HYDR						•
10	MS34000085	SUP.SHELF FRONT SUPPORT BRAKE 70 VCVSH-NAT	•					
	MS34000086	SUP.SHELF FRONT SUPPORT BRAKE 105 VCVSH-NAT		•				
	MS34000087	SUP.SHELF FRONT SUPPORT BRAKE PRE.150 VCVSH-NAT			•			
	MS34000088	SUP.SHELF FRONT SUPPORT BRAKE PRE.200 VCVSH-NAT				•		
	MS34000089	SUP.SHELF FRONT SUPPORT BRAKE PRE.250 VCVSH-NAT					•	
	MS34000090	SUP.SHELF FRONT SUPPORT BRAKE PRE.290 VCVSH-NAT						•
	MS34100085	SUP.SHELF FRONT SUPPORT BRAKE PRE.70 VCVSH-GOL	•					
	MS34100086	SUP.SHELF FRONT SUPPORT BRAKE PRE.105 VCVSH-GOL		•				
MS34100087	SUP.SHELF FRONT SUPPORT BRAKE PRE.150 VCVSH-GOL			•				

MS34100088	SUP.SHELF FRONT SUPPORT BRAKE PRE.200 VCVSH-GOL				•	
MS34100089	SUP.SHELF FRONT SUPPORT BRAKE PRE.250 VCVSH-GOL					•
MS34100090	SUP.SHELF FRONT SUPPORT BRAKE PRE.290 VCVSH-GOL					•

Refrigerator / Salad Display

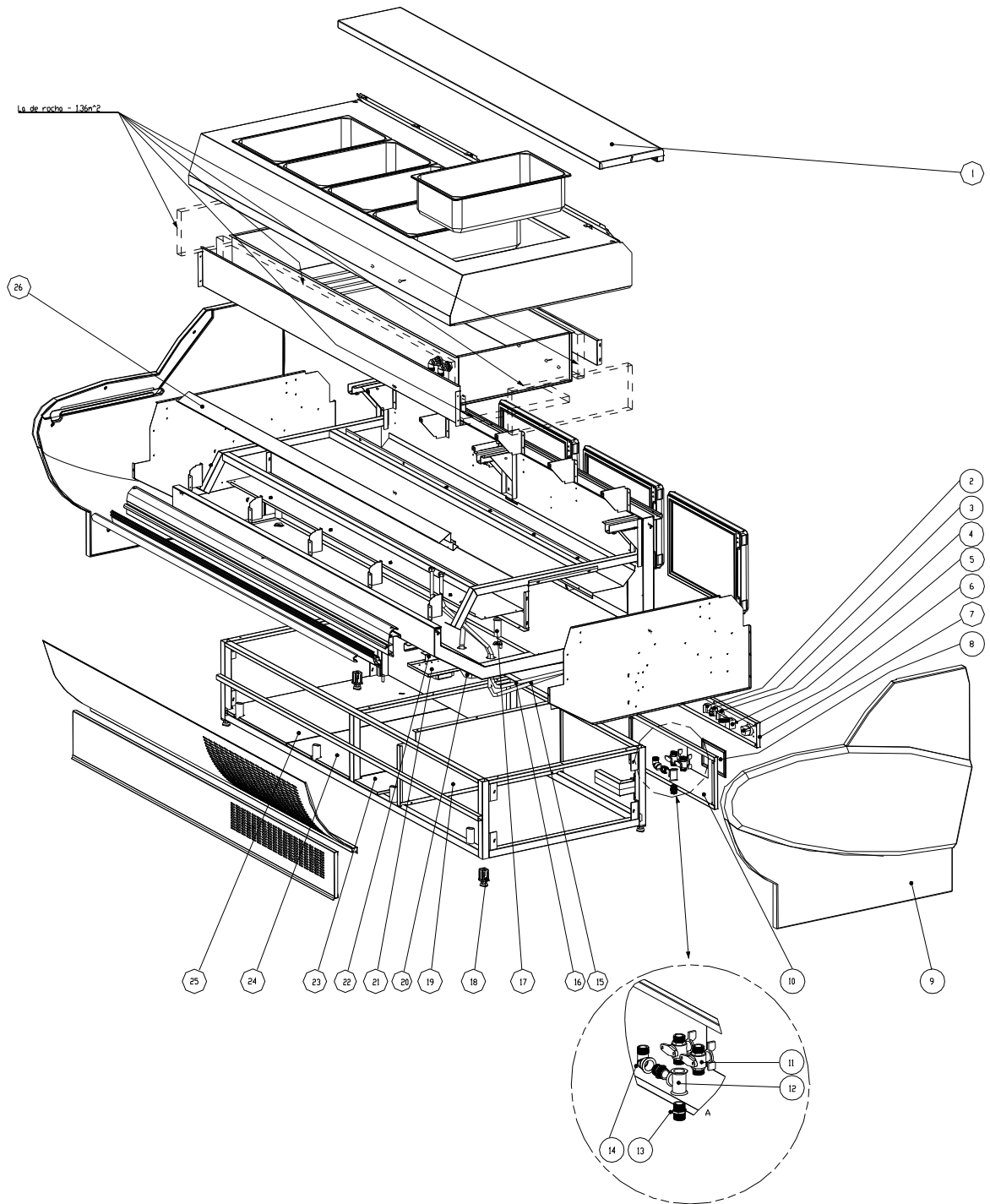


N°	CODE	DESIGNATION	105	150
1	IP15010011	S/LESS STEEL SERVICE COVER PRESTIGE 105	•	
	IP15010015	S/LESS STEEL SERVICE COVER PRESTIGE 150		•
2	MS40000096	DIG. CONT.UNIT LDU152E-AL-W/INT.ILLUMIN.	•	
	MS40000430	CONTROLER SENSOR LDU152E SN2K20P1	•	
3	MS10000078	RED ON/OFF SIGN./INTER.LUM. F.11.405 L	•	
4	MS10000079	WHITE SWITCH N/LUM. - LUZ F.11.405		•

5	IP23110515	CONTROL PANEL PRESTIGE 105-150 SK REF.	•	
	IP23110015	C.PANEL PRESTIGE 105-150 S/LESS STEEL REF.	•	
6	MS10000088	SOCKET SHUKO BRAN.10/16 A MOBIL-R-418502	•	
	MS10000089	WHITE MIRROR W/COVER REF.182809	•	
7	IP19210000	LEFT LAT.ABS BROWN ORANGE PASSION	•	
	IP19310000	RIGHT LAT.ABS BROWN ORANGE	•	
	IP19210001	LEFT LAT.ABS GRAY SILVER PRESTIGE	•	
	IP19310001	RIGHT LAT.ABS GRAY SILVER PRESTIGE	•	
8	MS40000136	CONDENSER W/ 2 FANS STVF 157-90	•	
9	MS40000334	COMPRESSOR ML80TB	•	
10	SP90812500	COMP.GROUP SIDE COVER PRESTIGE SK.S/GP.	•	
	SP90812000	COMP.GR.SIDE COVER PRESTIGE S/LESS STEEL WO/GP.	•	
	SP90810500	COMP.GROUP SIDE COVER PRESTIGE GRAY	•	
	SP90810000	COMP.GROUP SIDE COVER PRESTIGE S/LESS STEEL	•	
11	IP25110111	ELECT.CIRC.BOARD PRESTIGE 105 WO/GP.	•	•
	IP25110115	ELECT.CIRC.BOARD PRESTIGE 150 WO/GP.		•
	IP25110011	ELECT.CIRC.BOARD PRESTIGE 105 W/GP.	•	
	IP25110015	ELECT.CIRC.BOARD PRESTIGE 150 W/GP.		•
12	MS30000136	PROTECTET LEVELING FOOT 30X30	•	
13	SP37410004	ELECT.CIRC.BOARD FIX. SLIDING PRESTIGE	•	
14	MS20001075	WHITE PL. RECEPTACLE TERMOMOL.485X260X82	•	
15	SP37410001	LEFT PLATER FIX. BUCKER PRESTIGE	•	
16	SP37410002	RIGHT PLATER FIX. BUCKER PRESTIGE	•	
17	IP90113011	FAN COVER PRESTIGE SALADS 105	•	
	IP90113015	FAN COVER PRESTIGE SALADA 150		•
	MS40000459	FAN PAPST MOD.3650 92X92X38	•	
18	MS40000146	EVAPORATOR PRESTIGE BUTCHER'S 105	•	
	MS40000147	EVAPORATOR PRESTIGE BUTCHER'S 150		•
19	SP50010011	FRONTAL PROFILE PRESTIGE 105-NATURAL	•	
	SP50010015	FRONTAL PROFILE PRESTIGE 150-NATURAL		•
	SP50010111	FRONTAL PROFILE PRESTIGE 105-GOLDEN	•	
	SP50010115	FRONTAL PROFILE PRESTIGE 150-GOLDEN		•
20	MP12300311	BUPER PROFILE FLEX.29X21 RAL9007-SILVER	0,95	1,4
	MP12300312	BUPER PROFILE FLEX.29X21 RAL3000-RED	0,95	1,4
	MP12300313	BUPER PROFILE FLEX.29X21 RAL3000-BLUE	0,95	1,4
	MP12300314	BUPER PROFILE FLEX.29X21 RAL1003-YELLOW	0,95	1,4
	MP12300315	BLACK BUMPER BASE PROFILE 23X11	0,95	1,4
21	MP22300040	WINDOW FENCE BLACK PROFILE 12X11	0,95	1,4
	SP50110011	SUP. DEC. PROFILE PRESTIGE 105-NATURAL	•	
	SP50110015	SUP. DEC. PROFILE PRESTIGE 150-NATURAL		•
	SP50110111	SUP. DEC. PROFILE PRESTIGE 105-GOLDEN	•	
	SP50110115	SUP. DEC. PROFILE PRESTIGE 150-GOLDEN		•
22	SP90410011	SUCTION GRID PRESTIGE 105	•	
	SP90410015	SUCTION GRID PRESTIGE 150		•
23	MS40000749	CONTAINER S/LESS STEEL 1/1 530X325X100	•	
	MS40000760	CONTAINER S/LESS STEEL 1/2 325X265X100	•	
	MS40000750	CONTAINER S/LESS STEEL 1/3 325X176X100	•	
	MS40000751	CONTAINER S/LESS STEEL 1/4 265X162X100	•	
	MS40000752	CONTAINER S/LESS STEEL 1/6 176X162X100	•	
	MS40000765	CONTAINER S/LESS STEEL 1/9 176X108X100	•	

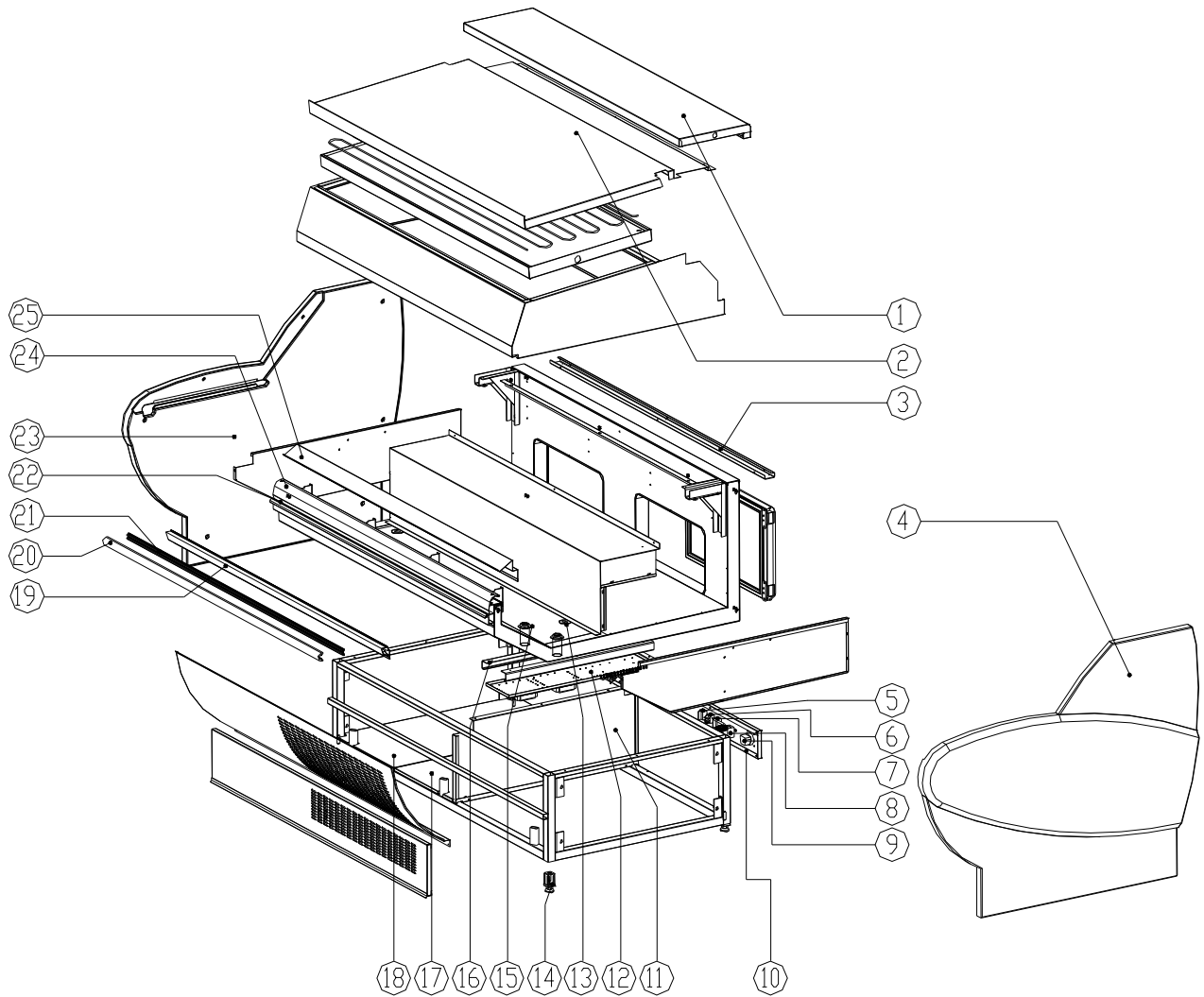
MS40000758	CONTAINER S/LESS STEEL 2/3 352X325X100	•
MS40000767	CONTAINER S/LESS STEEL 2/4 530X162X100	•
MS40000764	CONTAINER S/LESS STEEL 2/8 325X132X100	•
MS40000755	CONTAINER S/LESS STEEL 1/1 530X325X150	•
MS40000761	CONTAINER S/LESS STEEL 1/2 325X265X150	•
MS40000756	CONTAINER S/LESS STEEL 1/3 325X176X150	•
MS40000754	CONTAINER S/LESS STEEL 1/4 265X162X150	•
MS40000757	CONTAINER S/LESS STEEL 1/6 176X162X150	•
MS40000766	CONTAINER S/LESS STEEL 1/9 176X108X150	•
MS40000759	CONTAINER S/LESS STEEL 2/3 352X325X150	•
MS40000762	CONTAINER S/LESS STEEL 2/4 530X162X150	•
MS40000763	CONTAINER S/LESS STEEL 2/8 325X132X150	•
MS40000773	S/LESS STEEL CONTAINER COVER 1/1	•
MS40000774	S/LESS STEEL CONTAINER COVER 1/2	•
MS40000770	S/LESS STEEL CONTAINER COVER 1/3	•
MS40000772	S/LESS STEEL CONTAINER COVER 1/4	•
MS40000771	S/LESS STEEL CONTAINER COVER 1/6	•
MS40000777	S/LESS STEEL CONTAINER COVER 1/9	•
MS40000775	S/LESS STEEL CONTAINER COVER 2/3	•
MS40000778	S/LESS STEEL CONTAINER COVER 2/4	•
MS40000776	S/LESS STEEL CONTAINER COVER 2/8	•

Water-bath display



N°	CODE	DESIGNATION	105	150
1	IP15010011	SERVICE COVER S/LESS STEEL PRESTIGE 105	•	
	IP15010015	SERVICE COVER S/LESS STEEL PRESTIGE 150		•
2	MS10000078	RED ON/OFF SIGN./INTER.LUM. F.11.405 L	•	
3	MS10000079	WHITE SWITCH N/LUM. - LUZ F.11.405	•	
4	MS10000100	YELLOW LUM.SIGNAL. -RESIST. F.11.405 S	•	
5	MS40000030	THEMROSTAT F/WATER-BATH DISPLAY +30/+90	•	
6	MS10000088	SOCKET SHUKO WHITE 10/16 A MOBIL-R-418502	•	
	MS10000089	WHITE MIRROR WITH COVER REF.182809	•	
7	IP23011515	CONTROL PANEL PRESTIG.TP.AQUEC.105-150 SK.	•	
	IP23011015	C.PANEL PREST.TP.AQUEC.105-150 S/LESS STEEL	•	
8	SP91422090	INF. POSTERIOR COVER PROFILE C.EXT.ESF.90	•	
	SP90814000	POSTERIOR COVER PROFILE.PRESTIGE W.BATH	•	
9	IP19210000	LEFT LAT.ABS BROWN ORANGE PASSION	•	
	IP19310000	RIGHT LAT.ABS BROWN ORANGE PASSION	•	
	IP19210001	LEFT LAT.ABS GRAY SILVER PRESTIGE	•	
	IP19310001	RIGHT LAT.ABS GRAY SILVER PRESTIGE	•	
10	SP90614015	POSTERIOR COVER PRESTIGE B.MARIA INOX	•	
	SP90614515	POSTERIOR COVER PRESTIGE B.MARIA SK	•	
11	MS40000622	BRASS STRAINER 1/2 W/BASE	•	
12	MS40001606	TE BRASS 1/2	•	
13	MS40001605	BOUBLE BRASS SLEEVE 1/2	•	
14	MS40001604	FEMALE/MALE BRASS JOINTS 1/2	•	
15	MS40001600	FLEX. MESHED TUBE S/LESS STEEL 1/2 X 1250 FEM/FEM	•	
16	MS40001602	SPIRAL EXT. TUBE S/LESS STEEL 1/2 X 750 FEM/FEM	•	
17	MS30000403	PLASTIC PASSING VALVE 1 1/4POLEG BSP	•	
18	MS30000136	PROTECTED LEVELING FOOT 30X30	•	
19	SP90812500	COMP.GROUP LAT. COVER PRESTIGE SK.WO/GP.	•	
	SP90812000	COMP.GROUP LAT. COVER PRESTIGE S/LESS STEEL WO/GP.	•	
21	IP25110011	ELECT.CIRC.PANEL PRESTIGE 105 W/GP.	•	
	IP25110015	ELECT.CIRC.PANEL PRESTIGE 150 W/GP.		•
22	SP37410004	ELECT.CIRC.BOARD FIX. SLIDING PRESTIGE	•	
23	SP29210511	RIGHT LAT. BASE TRAY PRESTIGE 105 SK	1	
	SP29210515	RIGHT LAT. BASE TRAY PRESTIGE 150 SK.		1
24	SP29310515	LEFT LAT. BASE TRAY PRESTIGE 150 SK.		1
25	SP29210011	RIGHT LAT. BASE TRAY PRESTIGE 105 S/LESS STEEL	1	
	SP29210015	RIGHT LAT. BASE TRAY PRESTIGE 150 S/LESS STEEL		1
	SP29310015	LEFT LAT. BASE TRAY PRESTIGE 150 S/LESS STEEL		1
26	SP90014011	SUCTION GRID PRESTIGE W.BATH 105	•	
	SP90014015	SUCTION GRID PRESTIGE W.BATH 150		•

Heated Cover Display



N°	CODE	DESIGNATION	105	150
1	IP15010011	SERVICE COVER S/LESS STEEL PRESTIGE 105	•	
	IP15010015	SERVICE COVER S/LESS STEEL PRESTIGE 150		•
2	SP09111011	EXT.HEATED COVER PREST.HEATED COV.105	•	
	SP09111015	EXT.HEATED COVER PREST.HEATED COV.150		•
3	SP91110011	POSTERIOR FIX. SERVICE COVER PRESTIGE 105	•	
	SP91110015	POSTERIOR FIX. SERVICE COVER PRESTIGE 150		•
4	IP19210000	LEFT LAT.ABS BROWN ORANGE PASSION		•
	IP19210001	LEFT LAT.ABS GRAY SILVER PRESTIGE		•
5	MS10000078	RED ON/OFF SIGN./INTER.LUM. F.11.405 L		•
6	MS10000079	WHITE SWITCH N/LUM. - LIGHT F.11.405		•
7	MS10000100	YELLOW LUM. SIGN.-RESIST. F.11.405 S		•
8	MS40000030	THERMOSTAT F/W.BATH DISPLAY +30/+90		•
9	MS10000088	SOCKET SHUKO WHITE 10/16 A MOBIL-R-418502		•
	MS10000089	WHITE MIRROR WITH COVER REF.182809		•
10	IP23011515	CONT.PANEL PRESTIG TP AQUEC.105-150 SK.		•

	IP23011015	CONT.PANEL PRES.TP.AQUEC.105-150 S/LESS STEEL	•	
11	SP90812500	COMP.GROUP SIDE COVER PRESTIGE SK.S/GP.	•	
	SP90812000	COMP.GROUP S.COVER PRE.S/LESS STEEL WO/GP.	•	
12	IP25110011	ELECT.CIRCUIT BOARD PRESTIGE 105 W/GP.	•	
	IP25110015	ELECT.CIRCUIT BOARD PRESTIGE 150 W/GP.		•
13	MS30000406	PLASTIC VALVE BSP 3/4X88 MM	•	
14	MS30000136	PROTECTED LEVELING FOOT 30X30	•	
15	MS30000403	PLASTIC PASSING VALVE 1 1/4POLEG BSP	•	
16	SP37410004	ELECT.CIRC.BOARD FIX. SLIDING PRESTIGE	•	
17 e 18	SP29210511	RIGHT LAT. BASE TRAY PRESTIGE 105 SK	1	
	SP29210515	RIGHT LAT. BASE TRAY PRESTIGE 150 SK.		1
	SP29310515	LELFT LAT. BASE TRAY PRESTIGE 150 SK.		1
	SP29210011	RIGHT LAT. BASE TRAY PRESTIGE 105 S/LESS STEEL	1	
	SP29210015	RIGHT LAT. BASE TRAY PRESTIGE 150 S/LESS STEEL		1
	SP29310015	LEFT LAT. BASE TRAY PRESTIGE 150 S/LESS STEEL		1
19	SP50010011	FRONTAL PROFILE PRESTIGE 105-NATURAL	•	
	SP50010015	FRONTAL PROFILE PRESTIGE 150-NATURAL		•
	SP50010111	FRONTAL PROFILE PRESTIGE 105-GOLDEN	•	
	SP50010115	FRONTAL PROFILE PRESTIGE 150-GOLDEN		•
20	MP12300311	BUMPER PROFILE FLEX.29X21 RAL9007-SILVER	0,95	1,4
	MP12300312	BUMPER PROFILE FLEX.29X21 RAL3000-RED	0,95	1,4
	MP12300313	BUMPER PROFILE FLEX.29X21 RAL3000-BLUE	0,95	1,4
	MP12300314	BUMPER PROFILE FLEX.29X21 RAL1003-YELLOW	0,95	1,4
21	MP12300315	BLACK BUMPER BASE PROFILE 23X11	0,95	1,4
22	SP50110011	SUP.DEC. PROFILE PRESTIGE 105-NATURAL	•	
	SP50110015	SUP.DEC. PROFILE PRESTIGE 150-NATURAL		•
	SP50110111	SUP.DEC. PROFILE PRESTIGE 105-GOLDEN	•	
	SP50110115	SUP.DEC. PROFILE PRESTIGE 150-GOLDEN		•
23	IP19310000	RIGHT LAT.ABS BROWN ORANGE PASSION	•	
	IP19310001	RIGHT LAT.ABS GRAY SILVER PRESTIGE	•	
24	MP22300040	BLACK WINDOW FENCE PROFILE 12X11	0,95	1,4
25	SP90014011	SUCTION GRID PRESTIGE W.BATH 105	•	
	SP90014015	SUCTION GRID PRESTIGE W.BATH 150		•

9. Attachments

Coupling / Uncoupling

The following step sequence shows you how to proceed when you want to couple a group of two or more displays. In the case you want to couple a box, the procedure is the same.

The uncoupling is done by doing the inverse sequence shown below.

Example: the group **box and display A** was coupled to the **display B**



A



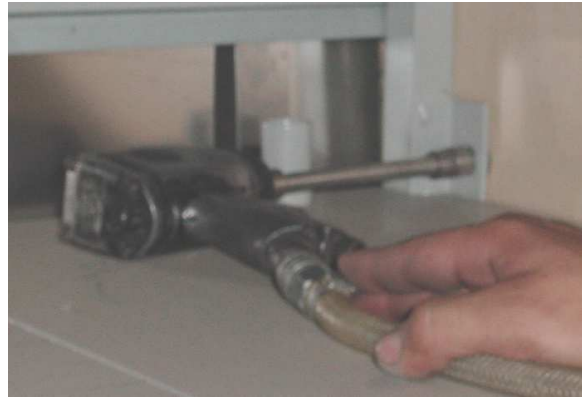
B

1. Place both displays laterally lined up and join them on the coupling point.



2. Level them, with the help of the levelling feet and of a spanner, and tighten the tab bolts indicated below.





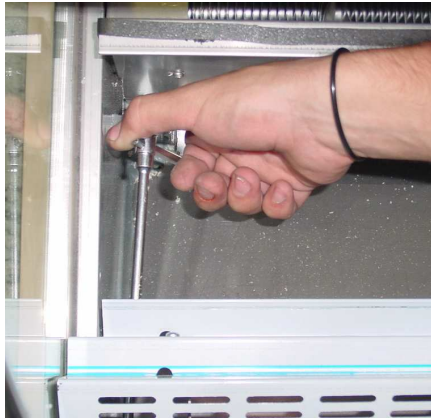
3. Place and screw the finish band as described below.



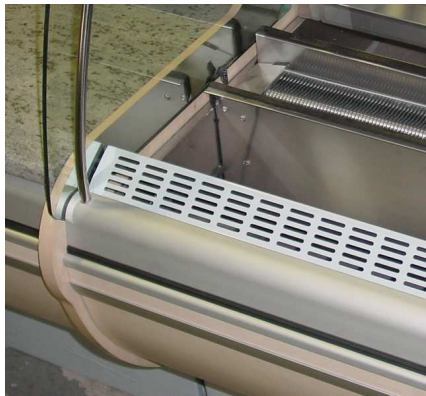
4. Place the side glass, fix the supports with screws and place the cable protection band.



5. Fasten the screw, which you can find in the upper left corner on the display's front.

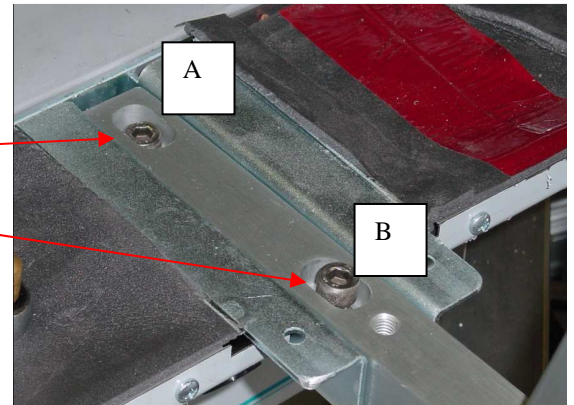


6. Place the fan's metal-foil and the cover, which closes the access to the fans.

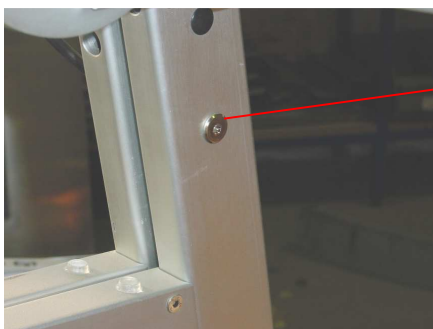
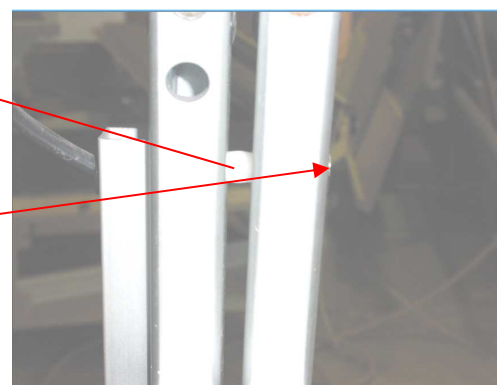
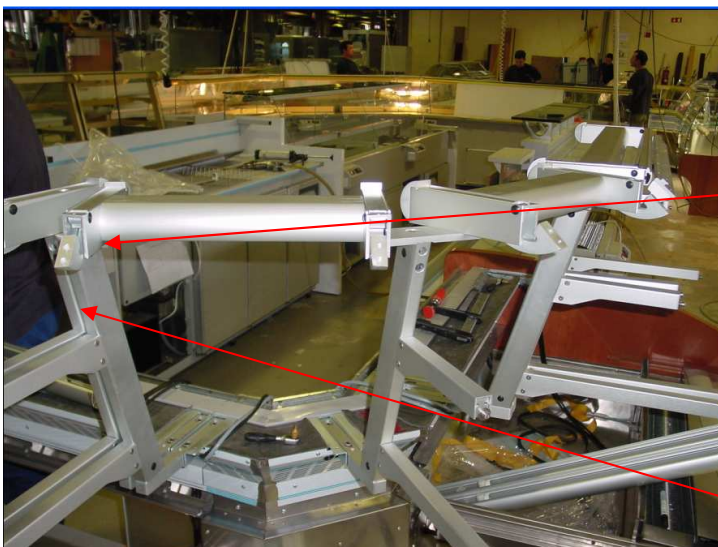


Glass assembly and adjustment

1. Tie the supports to the corner back fastening the screws (A) and (B).

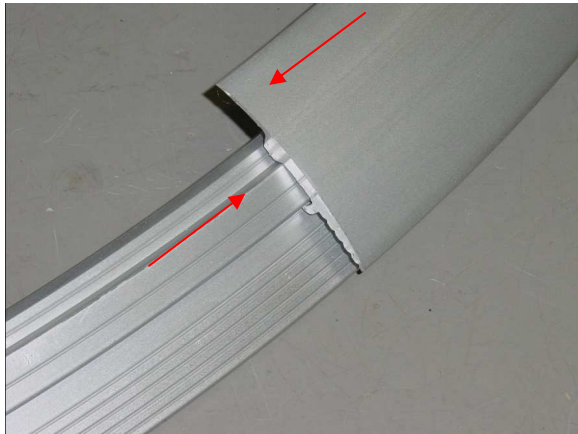


2. Place the upper lightning array and the support separation spangle as shown in the pictures below.

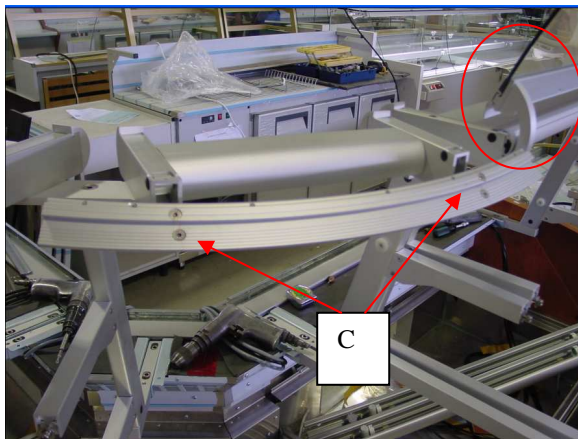


Support separation spangle maintenance screw.

3. Upper and lower glass fitting profiles. The arrows show you how they should be set together.

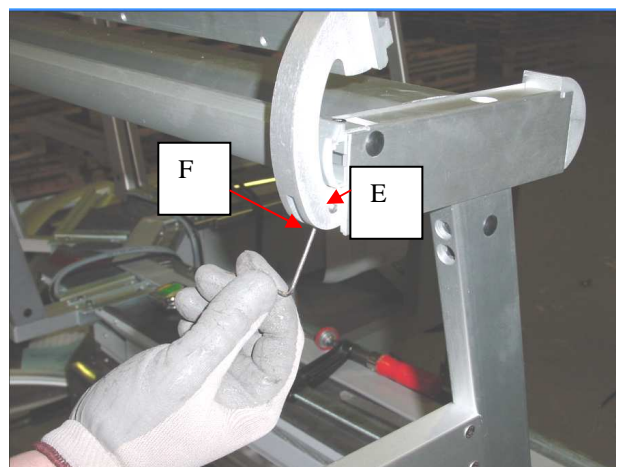
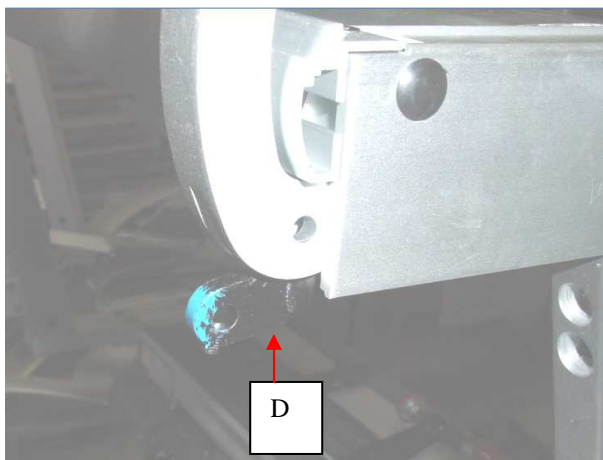


4. Tie the glass fitting profile to the support fastening it with the screws (C) as shown in the picture below.

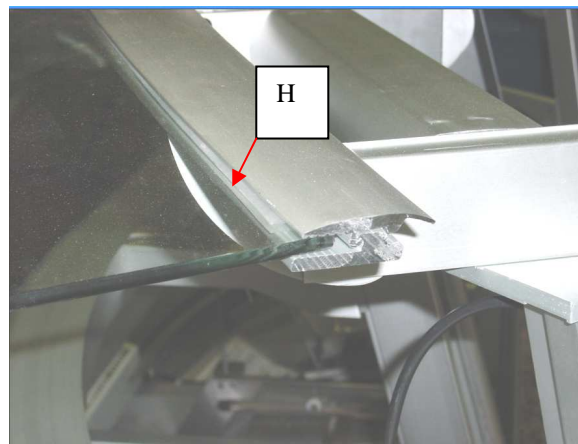
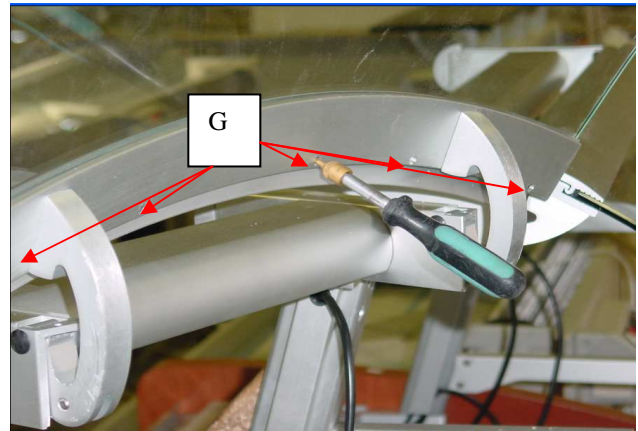


Detail of the base where the profile is tightened.

5. Place the hydraulic (D) on the support (leaning it against its back side and fastening it on the front using the fixing spangle (E) (fastened through a screw (F))).



6. Place the glasses on the support profiles and fasten them using the screws (G). Don't forget to place the rubber profiles (H) to protect the glass!



7. Place the lower lighting arrays fastening them to the supports using the screws (I).

